

**APPLICATION FOR AMENDMENT OF CERTIFICATE
(EXTENSION, QUICK TAKE EXTENSION, OR DELETION)**

**(Pursuant to Section 367.045, Florida Statutes, and
Rule 25-30.036, Florida Administrative Code)**

To: **Office of Commission Clerk
Florida Public Service Commission
2540 Shumard Oak Blvd.
Tallahassee, Florida 32399-0850**

The undersigned hereby makes application for amendment of Water Certificate No. 677-W and/or Wastewater Certificate No. 577-S to add or delete territory located in Sumter County, Florida, and submits the following information:

Please check the type of amendment being requested. Based upon the type of amendment requested, please complete the following parts of the application. Where specific items are listed, only those items need to be completed under that part.

- Extension: Complete Parts I, II, V, and VI
- Quick Take: Complete Parts I, II (only items B-1, 2, 4, 6 and D-1, 2, 3), III, V, and VI
- Deletion: Complete Parts I, II (only items D-1, 2, 3), IV, V, and VI

PART I APPLICANT INFORMATION

A) Contact Information for Utility. The utility's certificated name, address, telephone number, Federal Employer Identification Number, and if applicable, fax number, e-mail address, and website address. The utility's name should reflect the business and/or fictitious name(s) registered with the Department of State's Division of Corporations:

Gibson Place Utility Company, LLC
Utility Name

3601 Kiessel Road
Office Street Address

The Villages FL 32163
City State Zip Code

N/A
Mailing Address (if different from Street Address)

City	State	Zip Code
(352) 753-6220		(352) 753-1296
Phone Number		Fax Number
85-2074462		
Federal Employer Identification Number		
IV.Chandler@thevillages.com		
E-Mail Address		
N/A		
Website Address		

B) The contact information of the authorized representative to contact concerning this application:

Martin S. Friedman, Esquire - Dean Mead Law Firm		
Name		
420 S. Orange Ave., Suite 700		
Mailing Address		
Orlando	FL	32801
City	State	Zip Code
(407) 310-2077		(407) 423-1831
Phone Number		Fax Number
mfriedman@deanmead.com		
E-Mail Address		

PART II **TERRITORY AMENDMENT**

Part II should be completed as follows based upon the type of amendment requested.

Extension: Complete all items under Part II

Quick Take Extension: Only need to complete items B-1, 2, 4, 6 and D-1, 2, 3.

Deletion: Only need to complete items D-1, 2, 3.

A) NEED FOR SERVICE IN THE PROPOSED AREA

- 1) Exhibit _____ - The number of customers currently being served and proposed to be served, by customer class and meter size, including a description of the types of customers anticipated to be served, i.e., single family homes, mobile homes, duplexes, golf course clubhouse, commercial.

- 2) Exhibit _____ - Provide a copy of all requests from service from property owners or developers in areas not currently served.

- 3) Exhibit _____ - Provide a copy of the current land use designation of the proposed service territory as described in the local comprehensive plan at the time the application is filed. If the proposed development will require a revision to the comprehensive plan, describe the steps taken and to be taken to facilitate those changes, including changes needed to address the proposed need for service.

- 4) Exhibit _____ - Provide a statement of any known land use restrictions, such as environmental restrictions imposed by governmental authorities.

B) TERRITORY DESCRIPTION, MAPS, FACILITIES, AND TECHNICAL ABILITY

- 1) Exhibit _____ - If the utility is planning to build a new water or wastewater treatment plant to serve the proposed territory, provide documentation of the utility's right to access and continued use of the land upon which the new utility treatment facilities that will serve the proposed territory will be located. This documentation shall be in the form of a recorded warranty deed, recorded quit claim deed accompanied by title insurance, recorded lease such as a 99-year lease, or recorded easement. The applicant may submit an unrecorded copy of the instrument granting the utility's right to access and continued use of the land upon which the utility treatment facilities are or will be located, provided the applicant files a recorded copy within the time prescribed in the order granting the amendment to the certification of authorization.

- 2) Exhibit _____ - Provide a legal description of the territory proposed to be served in the format prescribed in Rule 25-30.029, F.A.C. In addition, if the extension of territory is adjacent to existing territory, provide one complete legal description of the resulting territory including both existing and expanded portions.
- 3) Exhibit _____ - Provide a detailed system map showing the proposed lines and treatment facilities, with the territory proposed to be served plotted thereon, consistent with the legal description provided in B-1 above. If the territory to be served is adjacent to the utility's existing territory, provide a complete map showing both existing and expanded territories. The map shall be of sufficient scale and detail to enable correlation with the description of the territory.
- 4) Exhibit _____ - Provide an official county tax assessment map or other map showing township, range, and section, with a scale such as 1" = 200' or 1" = 400', with the proposed territory plotted thereon, consistent with the legal description provided in B-1 above.
- 5) Exhibit _____ - Provide a statement describing the capacity of the existing lines, the capacity of the existing treatment facilities, and the design capacity of the proposed extension.

- 6) Exhibit _____ - Provide a copy of all current permits issued by the Department of Environmental Protection (DEP) and by the water management district.
- 7) Exhibit _____ - Provide a copy of the most recent DEP and/or county health department sanitary survey, compliance inspection report, and secondary water quality standards report.
- 8) Exhibit _____ - Provide a copy of all correspondence with the DEP, county health department, and water management district, including consent orders and warning letters, and the utility's responses to the same, for the past five years.

C) FINANCIAL ABILITY

- 1) Exhibit _____ - Provide a detailed statement regarding the proposed method of financing the construction and the projected impact on the utility's capital structure.

- 2) Exhibit _____ - Provide a statement regarding the projected impact of the extension on the utility's monthly rates and service availability charges.

D) PROPOSED TARIFF AND RATE INFORMATION

- 1) Exhibit "A" - Provide a tariff containing all rates, classifications, charges, rules, and regulations, which shall be consistent with Chapter 25-9, F.A.C. See Rule 25-30.036, F.A.C., for information about water and wastewater tariffs that are available and may be completed by the applicant and included in the application.

- 2) Exhibit _____ - Provide the number of the most recent order of the Commission establishing or changing the applicant's rates and charges.

The Utility has not yet had original rates and charges set.

- 3) Exhibit "B" - An affidavit that the utility has tariffs and annual reports on file with the Commission.

PART III QUICK TAKE EXTENSION ADDITIONAL INFORMATION

- A) Exhibit _____ - Provide a written statement that the proposed new territory includes a maximum of 25 equivalent residential connections within such territory at the time the territory is at buildout. In addition, the statement should include a description of the types of customers anticipated to be served by the extension, i.e., single family homes, mobile homes, duplexes, golf course clubhouse, or commercial.

- B) Exhibit _____ - Provide a written statement that upon investigation:

- 1) There is no other utility in the area of the proposed territory that is willing and capable of providing reasonably adequate service to the new territory.

- 2) The person(s) or business(es) requesting water or wastewater service have demonstrated to the utility that service is necessary because: (Check all that apply)

- (a) a private well has been contaminated or gone dry ,
(b) a septic tank has failed , or
(c) service is otherwise not available .

PART IV TERRITORY DELETION ADDITIONAL INFORMATION

- A) Exhibit _____ - Provide a statement specifying the reasons for the proposed deletion of territory.

These two areas are not yet developed and one area is primarily going to be multi-family and commercial, and the other high density commercial and both will be built-out at a much different pace than the proposed single family age restricted housing that will primarily occupy the original area.

- B) Exhibit "C" - Provide a legal description of the territory proposed to be deleted in the format prescribed in Rule 25-30.029, F.A.C., along with a complete legal description of the remaining territory.

EXHIBIT “A”

By Order No. PSC-2020-0473-PAA-WS, the Commission temporarily waived the requirement that the Utility file Tariffs containing all rates, classifications, charges, rules and regulations.

EXHIBIT "B"

AFFIDAVIT OF TARIFF AND ANNUAL REPORT

STATE OF FLORIDA

COUNTY OF VOLUSIA

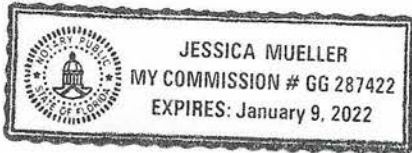
Before me, the undersigned authority, authorized to administer oaths and take acknowledgments, personally appeared Martin S. Friedman, who, after being duly sworn on oath, did depose on oath and say that he is the attorney for Gibson Place Utility Company, LLC ("Utility"), and that the Utility was granted a waiver and does not yet have a Tariff on file with the Florida Public Service Commission, and that on July 27, 2021, he did verify on the Florida Public Service Commission website that the Utility has a 2020 Annual Report on file.

FURTHER AFFIANT SAYETH NAUGHT.



Martin S. Friedman

Sworn to and subscribed before me by means of physical presence or online notarization this 27 day of July 2021, by Martin S. Friedman, who provided a Florida driver's license as identification.





Print Name: Jessica Mueller
NOTARY PUBLIC
My Commission Expires: 1/9/22

EXHIBIT "C"

**GIBSON PLACE UTILITY COMPANY, LLC
SUMTER AND LAKE COUNTIES
WATER AND WASTEWATER SERVICE AREA
DESCRIPTION OF AREA TO BE DELETED**

PARCEL 1 (LANDS TO BE DELETED FROM EXISTING SERVICE AREA)

THAT PORTION OF SECTIONS 15, 16, 17, 20, 21 AND 22, TOWNSHIP 20 SOUTH, RANGE 23 EAST, SUMTER COUNTY, FLORIDA, DESCRIBED AS FOLLOWS:

COMMENCE AT THE NORTHEAST CORNER OF THE NORTHEAST 1/4 OF AFORESAID SECTION 17; THENCE ALONG THE NORTH LINE THEREOF RUN N89°41'47"W, 1,333.69 FEET TO THE NORTHWEST CORNER OF THE EAST 1/4 OF SAID SECTION 17; THENCE ALONG THE WEST LINE THEREOF RUN S00°05'18"E, 50.00 FEET TO A POINT ON THE SOUTH RIGHT OF WAY LINE OF COUNTY ROAD NO. 470 PER FLORIDA DEPARTMENT OF TRANSPORTATION RIGHT OF WAY MAP, SECTION 18580-2601; SAID POINT ALSO BEING THE POINT OF BEGINNING; THE FOLLOWING SEVEN (7) COURSES BEING ALONG SAID SOUTH RIGHT OF WAY LINE: RUN S89°41'47"E, 1,299.79 FEET; THENCE S00°18'13"W, 10.00 FEET; THENCE S89°41'47"E, 33.60 FEET; THENCE S89°47'31"E, 166.50 FEET; THENCE N00°12'29"E, 10.00 FEET; THENCE S89°47'31"E, 2,529.50 FEET; THENCE S89°52'59"E, 375.37 FEET; THENCE DEPARTING SAID SOUTH RIGHT OF WAY LINE RUN S00°00'00"E, 462.00 FEET; THENCE S89°52'33"E, 2,419.01 FEET; THENCE S00°00'00"E, 155.00 FEET; THENCE S89°43'47"E, 1,012.01 FEET; THENCE S00°00'00"E, 208.39 FEET TO THE POINT OF CURVATURE OF A CURVE CONCAVE NORTHEASTERLY AND HAVING A RADIUS OF 120.00 FEET; THENCE SOUTHEASTERLY ALONG THE ARC OF SAID CURVE THROUGH A CENTRAL ANGLE OF 90°00'00", AN ARC DISTANCE OF 188.50 FEET TO THE POINT OF TANGENCY; THENCE N90°00'00"E, 26.91 FEET TO THE POINT OF CURVATURE OF A CURVE CONCAVE SOUTHWESTERLY AND HAVING A RADIUS OF 30.00 FEET; THENCE SOUTHEASTERLY ALONG THE ARC OF SAID CURVE THROUGH A CENTRAL ANGLE OF 90°00'00", AN ARC DISTANCE OF 47.12 FEET TO THE POINT OF TANGENCY; THENCE S00°00'00"E, 47.20 FEET TO A POINT ON THE ARC OF A NON-TANGENT CURVE CONCAVE EASTERLY, HAVING A RADIUS OF 257.06 FEET AND A CHORD BEARING AND DISTANCE OF S06°41'16"E, 56.07 FEET TO WHICH A RADIAL LINE BEARS S89°34'23"W; THENCE SOUTHERLY ALONG THE ARC OF SAID CURVE, THROUGH A CENTRAL ANGLE OF 12°31'19", AN ARC DISTANCE OF 56.18 FEET TO A POINT ON THE ARC OF A NON-TANGENT CURVE CONCAVE NORTHEASTERLY, HAVING A RADIUS OF 226.00 FEET AND A CHORD BEARING AND DISTANCE OF S51°13'29"E, 293.96 FEET TO WHICH A RADIAL LINE BEARS S79°20'38"W; THENCE SOUTHEASTERLY ALONG THE ARC OF SAID CURVE, THROUGH A CENTRAL ANGLE OF 81°08'13", AN ARC DISTANCE OF 320.04 FEET; THENCE ALONG A NON-TANGENT LINER RUN S05°18'27"E, 20.45 FEET TO A POINT ON THE ARC OF A NON-TANGENT CURVE CONCAVE SOUTHERLY, HAVING A RADIUS OF 2,148.00 FEET AND A CHORD BEARING AND DISTANCE OF S71°13'53"W, 978.64 FEET TO WHICH A RADIAL LINE BEARS N05°36'03"W; THENCE WESTERLY

ALONG THE ARC OF SAID CURVE, THROUGH A CENTRAL ANGLE OF 26°20'08", AN ARC DISTANCE OF 987.31 FEET TO THE POINT OF TANGENCY; THENCE S58°03'49"W, 181.42 FEET TO THE POINT OF CURVATURE OF A CURVE CONCAVE NORTHERLY AND HAVING A RADIUS OF 2,018.00 FEET; THENCE WESTERLY ALONG THE ARC OF SAID CURVE THROUGH A CENTRAL ANGLE OF 21°46'48", AN ARC DISTANCE OF 767.11 FEET TO A POINT OF COMPOUND CURVATURE OF A CURVE CONCAVE NORTHERLY AND HAVING A RADIUS OF 87.00 FEET; THENCE WESTERLY ALONG THE ARC OF SAID CURVE THROUGH A CENTRAL ANGLE OF 49°55'05", AN ARC DISTANCE OF 75.80 FEET TO THE POINT OF REVERSE CURVATURE OF A CURVE CONCAVE SOUTHWESTERLY AND HAVING A RADIUS OF 138.00 FEET; THENCE NORTHWESTERLY ALONG THE ARC OF SAID CURVE THROUGH A CENTRAL ANGLE OF 20°09'36", AN ARC DISTANCE OF 48.56 FEET TO THE POINT OF REVERSE CURVATURE OF A CURVE CONCAVE NORTHEASTERLY AND HAVING A RADIUS OF 87.00 FEET; THENCE NORTHWESTERLY ALONG THE ARC OF SAID CURVE THROUGH A CENTRAL ANGLE OF 49°36'57", AN ARC DISTANCE OF 75.34 FEET; THENCE ALONG A RADIAL LINE RUN S69°13'03"W, 15.00 FEET TO A POINT ON THE ARC OF A NON-TANGENT CURVE CONCAVE WESTERLY, HAVING A RADIUS OF 330.00 FEET AND A CHORD BEARING AND DISTANCE OF N21°58'39"W, 13.76 FEET TO WHICH A RADIAL LINE BEARS N69°13'03"E; THENCE NORTHERLY ALONG THE ARC OF SAID CURVE, THROUGH A CENTRAL ANGLE OF 02°23'23", AN ARC DISTANCE OF 13.76 FEET; THENCE ALONG A NON-TANGENT LINE RUN S68°34'03"W, 75.04 FEET TO A POINT ON THE ARC OF A NON-TANGENT CURVE CONCAVE NORTHWESTERLY, HAVING A RADIUS OF 75.00 FEET AND A CHORD BEARING AND DISTANCE OF S32°40'15"W, 124.87 FEET TO WHICH A RADIAL LINE BEARS N66°18'57"E; THENCE SOUTHWESTERLY ALONG THE ARC OF SAID CURVE, THROUGH A CENTRAL ANGLE OF 112°42'37", AN ARC DISTANCE OF 147.54 FEET; THENCE ALONG A NON-TANGENT LINE RUN S01°36'46"E, 130.53 FEET TO A POINT ON THE ARC OF A NON-TANGENT CURVE CONCAVE SOUTHWESTERLY, HAVING A RADIUS OF 90.41 FEET AND A CHORD BEARING AND DISTANCE OF S34°50'13"E, 111.37 FEET TO WHICH A RADIAL LINE BEARS N17°08'32"E; THENCE SOUTHEASTERLY ALONG THE ARC OF SAID CURVE, THROUGH A CENTRAL ANGLE OF 76°02'30", AN ARC DISTANCE OF 119.99 FEET; THENCE ALONG A NON-TANGENT LINE RUN S00°00'00"E, 253.60 FEET; THENCE S10°30'22"W, 52.36 FEET TO A POINT ON THE ARC OF A NON-TANGENT CURVE CONCAVE EASTERLY, HAVING A RADIUS OF 2,199.00 FEET AND A CHORD BEARING AND DISTANCE OF S04°26'00"E, 250.89 FEET TO WHICH A RADIAL LINE BEARS S88°50'13"W; THENCE SOUTHERLY ALONG THE ARC OF SAID CURVE, THROUGH A CENTRAL ANGLE OF 06°32'26", AN ARC DISTANCE OF 251.02 FEET; THENCE ALONG A NON-TANGENT LINE RUN S52°12'57"E, 14.30 FEET TO A POINT ON THE ARC OF A NON-TANGENT CURVE CONCAVE EASTERLY, HAVING A RADIUS OF 2,189.00 FEET AND A CHORD BEARING AND DISTANCE OF S13°47'24"E, 443.92 FEET TO WHICH A RADIAL LINE BEARS S82°01'47"W; THENCE SOUTHERLY ALONG THE ARC OF SAID CURVE, THROUGH A CENTRAL ANGLE OF 11°38'22", AN ARC DISTANCE OF 444.68 FEET TO A POINT ON THE ARC OF A NON-TANGENT CURVE CONCAVE SOUTHEASTERLY, HAVING A RADIUS OF 315.35 FEET AND A CHORD BEARING AND DISTANCE OF S30°38'13"W, 142.88 FEET TO WHICH A

RADIAL LINE BEARS N46°16'10"W; THENCE SOUTHWESTERLY ALONG THE ARC OF SAID CURVE, THROUGH A CENTRAL ANGLE OF 26°11'14", AN ARC DISTANCE OF 144.13 FEET TO A POINT ON THE ARC OF A NON-TANGENT CURVE CONCAVE NORTHERLY, HAVING A RADIUS OF 199.85 FEET AND A CHORD BEARING AND DISTANCE OF S84°04'45"W, 85.35 FEET TO WHICH A RADIAL LINE BEARS S18°15'03"E; THENCE WESTERLY ALONG THE ARC OF SAID CURVE, THROUGH A CENTRAL ANGLE OF 24°39'36", AN ARC DISTANCE OF 86.01 FEET; THENCE ALONG A NON-TANGENT LINE RUN N86°00'00"W, 42.50 FEET; THENCE S04°00'00"W, 146.00 FEET; THENCE S74°35'56"E, 53.59 FEET TO A POINT ON THE ARC OF A NON-TANGENT CURVE CONCAVE NORTHERLY, HAVING A RADIUS OF 232.00 FEET AND A CHORD BEARING AND DISTANCE OF S88°40'03"E, 86.65 FEET TO WHICH A RADIAL LINE BEARS S12°05'45"W; THENCE EASTERLY ALONG THE ARC OF SAID CURVE, THROUGH A CENTRAL ANGLE OF 21°31'36", AN ARC DISTANCE OF 87.16 FEET TO THE POINT OF REVERSE CURVATURE OF A CURVE CONCAVE SOUTHERLY AND HAVING A RADIUS OF 129.00 FEET; THENCE EASTERLY ALONG THE ARC OF SAID CURVE THROUGH A CENTRAL ANGLE OF 41°30'21", AN ARC DISTANCE OF 93.45 FEET TO THE POINT OF REVERSE CURVATURE OF A CURVE CONCAVE NORTHEASTERLY AND HAVING A RADIUS OF 202.00 FEET; THENCE SOUTHEASTERLY ALONG THE ARC OF SAID CURVE THROUGH A CENTRAL ANGLE OF 11°03'01", AN ARC DISTANCE OF 38.96 FEET TO THE POINT OF REVERSE CURVATURE OF A CURVE CONCAVE SOUTHWESTERLY AND HAVING A RADIUS OF 208.00 FEET; THENCE SOUTHEASTERLY ALONG THE ARC OF SAID CURVE THROUGH A CENTRAL ANGLE OF 57°36'46", AN ARC DISTANCE OF 209.15 FEET TO THE POINT OF REVERSE CURVATURE OF A CURVE CONCAVE EASTERLY AND HAVING A RADIUS OF 129.22 FEET; THENCE SOUTHERLY ALONG THE ARC OF SAID CURVE THROUGH A CENTRAL ANGLE OF 11°00'42", AN ARC DISTANCE OF 24.83 FEET TO A POINT ON THE ARC OF A NON-TANGENT CURVE CONCAVE WESTERLY, HAVING A RADIUS OF 117.21 FEET AND A CHORD BEARING AND DISTANCE OF S21°41'08"E, 8.72 FEET TO WHICH A RADIAL LINE BEARS N66°10'56"E; THENCE SOUTHERLY ALONG THE ARC OF SAID CURVE, THROUGH A CENTRAL ANGLE OF 04°15'51", AN ARC DISTANCE OF 8.72 FEET TO A POINT ON THE ARC OF A NON-TANGENT CURVE CONCAVE WESTERLY, HAVING A RADIUS OF 31.00 FEET AND A CHORD BEARING AND DISTANCE OF S04°04'14"W, 25.71 FEET TO WHICH A RADIAL LINE BEARS N69°34'22"E; THENCE SOUTHERLY ALONG THE ARC OF SAID CURVE, THROUGH A CENTRAL ANGLE OF 48°59'46", AN ARC DISTANCE OF 26.51 FEET TO A POINT ON THE ARC OF A NON-TANGENT CURVE CONCAVE EASTERLY, HAVING A RADIUS OF 34.17 FEET AND A CHORD BEARING AND DISTANCE OF S19°24'24"E, 51.08 FEET TO WHICH A RADIAL LINE BEARS N61°02'16"W; THENCE SOUTHERLY ALONG THE ARC OF SAID CURVE, THROUGH A CENTRAL ANGLE OF 96°44'17", AN ARC DISTANCE OF 57.69 FEET TO THE POINT OF REVERSE CURVATURE OF A CURVE CONCAVE SOUTHWESTERLY AND HAVING A RADIUS OF 31.00 FEET; THENCE SOUTHEASTERLY ALONG THE ARC OF SAID CURVE THROUGH A CENTRAL ANGLE OF 49°11'47", AN ARC DISTANCE OF 26.62 FEET TO THE POINT OF REVERSE CURVATURE OF A CURVE CONCAVE NORTHEASTERLY AND HAVING A RADIUS OF 520.00 FEET; THENCE SOUTHEASTERLY ALONG THE ARC OF SAID CURVE THROUGH A CENTRAL ANGLE OF 09°45'13", AN ARC

DISTANCE OF 88.52 FEET TO THE POINT OF REVERSE CURVATURE OF A CURVE CONCAVE SOUTHWESTERLY AND HAVING A RADIUS OF 496.00 FEET; THENCE SOUTHEASTERLY ALONG THE ARC OF SAID CURVE THROUGH A CENTRAL ANGLE OF 01°47'40", AN ARC DISTANCE OF 15.53 FEET TO A POINT ON THE ARC OF A NON-TANGENT CURVE CONCAVE WESTERLY, HAVING A RADIUS OF 2,405.00 FEET AND A CHORD BEARING AND DISTANCE OF S13°00'07"E, 252.07 FEET TO WHICH A RADIAL LINE BEARS N73°59'39"E; THENCE SOUTHERLY ALONG THE ARC OF SAID CURVE, THROUGH A CENTRAL ANGLE OF 06°00'28", AN ARC DISTANCE OF 252.18 FEET; THENCE ALONG A NON-TANGENT LINE RUN S02°09'22"W, 49.85 FEET TO A POINT ON THE ARC OF A NON-TANGENT CURVE CONCAVE WESTERLY, HAVING A RADIUS OF 2,395.00 FEET AND A CHORD BEARING AND DISTANCE OF S04°37'50"E, 350.92 FEET TO WHICH A RADIAL LINE BEARS N81°10'05"E; THENCE SOUTHERLY ALONG THE ARC OF SAID CURVE, THROUGH A CENTRAL ANGLE OF 08°24'09", AN ARC DISTANCE OF 351.23 FEET; THENCE ALONG A NON-TANGENT LINE RUN S00°25'46"E, 18.64 FEET; THENCE S45°25'46"E, 14.14 FEET; THENCE S00°25'46"E, 106.32 FEET TO THE POINT OF CURVATURE OF A CURVE CONCAVE EASTERLY AND HAVING A RADIUS OF 1,466.00 FEET; THENCE SOUTHERLY ALONG THE ARC OF SAID CURVE THROUGH A CENTRAL ANGLE OF 20°45'03", AN ARC DISTANCE OF 530.94 FEET TO A POINT ON THE ARC OF A NON-TANGENT CURVE CONCAVE NORTHEASTERLY, HAVING A RADIUS OF 1,465.03 FEET AND A CHORD BEARING AND DISTANCE OF S25°14'50"E, 207.88 FEET TO WHICH A RADIAL LINE BEARS S68°49'16"W; THENCE SOUTHEASTERLY ALONG THE ARC OF SAID CURVE, THROUGH A CENTRAL ANGLE OF 08°08'12", AN ARC DISTANCE OF 208.05 FEET TO A POINT ON THE ARC OF A NON-TANGENT CURVE CONCAVE WESTERLY, HAVING A RADIUS OF 153.50 FEET AND A CHORD BEARING AND DISTANCE OF S11°56'20"W, 202.39 FEET TO WHICH A RADIAL LINE BEARS N60°41'46"E; THENCE SOUTHERLY ALONG THE ARC OF SAID CURVE, THROUGH A CENTRAL ANGLE OF 82°29'10", AN ARC DISTANCE OF 220.99 FEET TO THE POINT OF REVERSE CURVATURE OF A CURVE CONCAVE SOUTHEASTERLY AND HAVING A RADIUS OF 2,270.00 FEET; THENCE SOUTHWESTERLY ALONG THE ARC OF SAID CURVE THROUGH A CENTRAL ANGLE OF 10°35'18", AN ARC DISTANCE OF 419.50 FEET TO A POINT ON THE ARC OF A NON-TANGENT CURVE CONCAVE SOUTHEASTERLY, HAVING A RADIUS OF 739.68 FEET AND A CHORD BEARING AND DISTANCE OF S30°40'48"W, 312.69 FEET TO WHICH A RADIAL LINE BEARS N47°07'03"W; THENCE SOUTHWESTERLY ALONG THE ARC OF SAID CURVE, THROUGH A CENTRAL ANGLE OF 24°24'19", AN ARC DISTANCE OF 315.07 FEET; THENCE ALONG A NON-TANGENT LINE RUN S01°38'04"E, 108.91 FEET; THENCE S72°01'05"E, 104.73 FEET; THENCE N28°04'56"E, 101.44 FEET TO A POINT ON THE ARC OF A NON-TANGENT CURVE CONCAVE SOUTHEASTERLY, HAVING A RADIUS OF 585.00 FEET AND A CHORD BEARING AND DISTANCE OF N30°34'50"E, 247.09 FEET TO WHICH A RADIAL LINE BEARS N71°36'41"W; THENCE NORTHEASTERLY ALONG THE ARC OF SAID CURVE, THROUGH A CENTRAL ANGLE OF 24°23'02", AN ARC DISTANCE OF 248.96 FEET TO A POINT OF COMPOUND CURVATURE OF A CURVE CONCAVE SOUTHEASTERLY AND HAVING A RADIUS OF 2,135.00 FEET; THENCE NORTHEASTERLY ALONG THE ARC OF SAID CURVE THROUGH A CENTRAL ANGLE OF 11°30'16", AN ARC DISTANCE OF 428.69 FEET; THENCE ALONG A RADIAL

LINE RUN S35°43'23"E, 5.00 FEET TO A POINT ON THE ARC OF A NON-TANGENT CURVE CONCAVE SOUTHEASTERLY, HAVING A RADIUS OF 2,130.00 FEET AND A CHORD BEARING AND DISTANCE OF N54°29'05"E, 15.45 FEET TO WHICH A RADIAL LINE BEARS N35°43'23"W; THENCE NORTHEASTERLY ALONG THE ARC OF SAID CURVE, THROUGH A CENTRAL ANGLE OF 00°24'56", AN ARC DISTANCE OF 15.45 FEET TO A POINT OF COMPOUND CURVATURE OF A CURVE CONCAVE SOUTHERLY AND HAVING A RADIUS OF 82.00 FEET; THENCE EASTERLY ALONG THE ARC OF SAID CURVE THROUGH A CENTRAL ANGLE OF 47°53'21", AN ARC DISTANCE OF 68.54 FEET TO THE POINT OF REVERSE CURVATURE OF A CURVE CONCAVE NORTHERLY AND HAVING A RADIUS OF 143.00 FEET; THENCE EASTERLY ALONG THE ARC OF SAID CURVE THROUGH A CENTRAL ANGLE OF 16°33'43", AN ARC DISTANCE OF 41.34 FEET TO THE POINT OF REVERSE CURVATURE OF A CURVE CONCAVE SOUTHERLY AND HAVING A RADIUS OF 82.00 FEET; THENCE EASTERLY ALONG THE ARC OF SAID CURVE THROUGH A CENTRAL ANGLE OF 47°30'10", AN ARC DISTANCE OF 67.98 FEET TO THE POINT OF TANGENCY; THENCE S46°28'40"E, 6.34 FEET; THENCE S43°57'33"E, 84.49 FEET TO A POINT ON THE ARC OF A NON-TANGENT CURVE CONCAVE NORTHEASTERLY, HAVING A RADIUS OF 1,280.30 FEET AND A CHORD BEARING AND DISTANCE OF S63°49'48"E, 710.72 FEET TO WHICH A RADIAL LINE BEARS S42°17'04"W; THENCE SOUTHEASTERLY ALONG THE ARC OF SAID CURVE, THROUGH A CENTRAL ANGLE OF 32°13'45", AN ARC DISTANCE OF 720.17 FEET TO A POINT ON THE ARC OF A NON-TANGENT CURVE CONCAVE SOUTHWESTERLY, HAVING A RADIUS OF 1,421.74 FEET AND A CHORD BEARING AND DISTANCE OF S65°19'11"E, 604.30 FEET TO WHICH A RADIAL LINE BEARS N12°24'37"E; THENCE SOUTHEASTERLY ALONG THE ARC OF SAID CURVE, THROUGH A CENTRAL ANGLE OF 24°32'26", AN ARC DISTANCE OF 608.95 FEET; THENCE ALONG A NON-TANGENT LINE RUN S42°40'07"W, 92.73 FEET; THENCE S35°32'25"W, 310.04 FEET; THENCE S33°42'14"W, 426.20 FEET; THENCE S28°42'01"W, 511.74 FEET; THENCE S25°47'37"W, 537.40 FEET TO THE SOUTH LINE OF THE NORTHWEST 1/4 OF AFORESAID SECTION 22; THENCE ALONG SAID SOUTH LINE RUN N89°46'44"W, 763.10 FEET TO THE EAST 1/4 CORNER OF AFORESAID SECTION 21; THENCE ALONG THE SOUTH LINE OF THE NORTH 1/2 OF SAID SECTION 21 RUN N89°37'47"W, 5,349.89 FEET TO THE SOUTHEAST CORNER OF THE EAST 1/2 OF THE NORTHEAST 1/4 OF AFORESAID SECTION 20; THENCE ALONG THE SOUTH LINE THEREOF RUN N89°39'20"W, 1,337.88 FEET TO THE SOUTHWEST CORNER THEREOF; THENCE ALONG THE WEST LINE THEREOF RUN N00°24'58"E, 2,657.03 FEET TO THE SOUTHWEST CORNER OF THE SOUTHWEST 1/4 OF THE SOUTHEAST 1/4 OF AFORESAID SECTION 17; THENCE ALONG THE SOUTH LINE THEREOF RUN N89°35'34"W, 1,334.84 FEET TO THE SOUTHWEST CORNER THEREOF; THENCE ALONG THE WEST LINE THEREOF RUN N00°04'35"W, 1,330.43 FEET TO THE NORTHWEST CORNER THEREOF; THENCE ALONG THE NORTH LINE THEREOF RUN S89°37'37"E, 1,334.55 FEET TO THE NORTHEAST CORNER THEREOF AND THE AFORESAID WEST LINE OF THE EAST 1/4 OF SAID SECTION 17; THENCE ALONG SAID WEST LINE RUN N00°05'18"W, 3,944.46 FEET TO THE POINT OF BEGINNING.

AND

PARCEL 2 (LANDS TO BE DELETED FROM EXISTING SERVICE AREA)

A PARCEL OF LAND LYING WITHIN SECTIONS 1 AND 12, TOWNSHIP 20 SOUTH, RANGE 23 EAST, SUMTER COUNTY, FLORIDA; LYING NORTH OF THE RIGHT OF WAY FOR COUNTY ROAD C470; LYING SOUTH OF THE WESTERLY RIGHT OF WAY OF FLORIDA'S TURNPIKE; BEING MORE PARTICULARLY DESCRIBED AS FOLLOWS:

COMMENCE AT THE SOUTHEAST CORNER OF THE SOUTHEAST 1/4 OF AFORESAID SECTION 12; THENCE ALONG THE EAST LINE THEREOF RUN N00°08'05"E, 2,080.80 FEET TO THE POINT OF BEGINNING; THENCE DEPARTING SAID EAST LINE RUN N89°36'19"W, 1,443.73 FEET; THENCE N00°09'06"E, 3,453.59 FEET; THENCE S47°36'14"E, 391.59 FEET; THENCE N42°23'46"E, 672.81 FEET TO A POINT ON THE ARC OF A NON-TANGENT CURVE CONCAVE SOUTHWESTERLY, HAVING A RADIUS OF 5,579.58 FEET AND A CHORD BEARING AND DISTANCE OF S43°55'07"E, 194.08 FEET TO WHICH A RADIAL LINE BEARS N45°05'06"E; SAID POINT ALSO BEING ON THE WESTERLY RIGHT OF WAY LINE OF FLORIDA'S TURNPIKE; THE FOLLOWING TWO (2) COURSES BEING ALONG SAID WESTERLY RIGHT OF WAY LINE: RUN SOUTHEASTERLY ALONG THE ARC OF SAID CURVE, THROUGH A CENTRAL ANGLE OF 01°59'35", AN ARC DISTANCE OF 194.09 FEET TO THE POINT OF TANGENCY; THENCE S42°55'19"E, 828.24 FEET TO THE EAST LINE OF THE NORTHEAST 1/4 OF AFORESAID SECTION 12; THENCE ALONG SAID EAST LINE RUN S00°08'05"W, 2,376.97 FEET TO THE NORTHEAST CORNER OF THE SOUTHEAST 1/4 OF SAID SECTION 12; THENCE ALONG THE AFORESAID EAST LINE THEREOF CONTINUE S00°08'05"W, 573.10 FEET TO THE POINT OF BEGINNING.

AND

PARCEL 3 (LANDS TO BE DELETED FROM EXISTING SERVICE AREA)

A PARCEL OF LAND LYING WITHIN SECTION 7, TOWNSHIP 20 SOUTH, RANGE 24 EAST, LAKE COUNTY, FLORIDA; LYING NORTH OF THE RIGHT OF WAY FOR COUNTY ROAD C470; LYING SOUTH OF THE WESTERLY RIGHT OF WAY OF FLORIDA'S TURNPIKE; BEING MORE PARTICULARLY DESCRIBED AS FOLLOWS:

COMMENCE AT THE SOUTHWEST CORNER OF THE SOUTHWEST 1/4 OF AFORESAID SECTION 7; THENCE ALONG THE WEST LINE THEREOF RUN N00°08'05"E, 2,080.80 FEET TO THE POINT OF BEGINNING; THENCE CONTINUE ALONG SAID EAST LINE N00°08'05"E, 573.10 FEET TO THE SOUTHWEST CORNER OF THE NORTHWEST 1/4 OF SAID SECTION 7; THENCE ALONG THE WEST LINE THEREOF CONTINUE N00°08'05"E, 2,376.97 FEET TO THE WESTERLY RIGHT OF WAY LINE OF FLORIDA'S TURNPIKE; THENCE ALONG SAID WESTERLY RIGHT OF WAY LINE RUN S42°55'11"E, 4,618.14 FEET; THENCE DEPARTING SAID WESTERLY RIGHT OF WAY LINE RUN S47°04'49"W, 100.00 FEET; THENCE S40°51'05"E, 738.95 FEET; THENCE S00°06'41"W, 850.09 FEET; THENCE N89°53'39"W, 850.00 FEET; THENCE S00°06'21"W, 130.00 FEET TO THE NORTHERLY RIGHT OF WAY LINE OF COUNTY ROAD C470; THE FOLLOWING TWO (2) COURSES BEING ALONG SAID NORTHERLY

RIGHT OF WAY LINE: RUN N89°53'39"W, 65.18 FEET; THENCE N89°52'37"W, 1,177.13 FEET; THENCE DEPARTING SAID NORTHERLY RIGHT OF WAY LINE RUN N00°08'05"E, 696.38 FEET TO THE POINT OF CURVATURE OF A CURVE CONCAVE WESTERLY AND HAVING A RADIUS OF 610.00 FEET; THENCE NORTHERLY ALONG THE ARC OF SAID CURVE THROUGH A CENTRAL ANGLE OF 21°20'29", AN ARC DISTANCE OF 227.21 FEET TO A POINT ON THE ARC OF A NON-TANGENT CURVE CONCAVE SOUTHWESTERLY, HAVING A RADIUS OF 130.41 FEET AND A CHORD BEARING AND DISTANCE OF N32°38'21"W, 242.58 FEET TO WHICH A RADIAL LINE BEARS S54°11'17"E; THENCE NORTHWESTERLY ALONG THE ARC OF SAID CURVE, THROUGH A CENTRAL ANGLE OF 136°54'09", AN ARC DISTANCE OF 311.59 FEET; THENCE ALONG A NON-TANGENT LINE RUN N42°51'55"W, 987.23 FEET TO THE POINT OF CURVATURE OF A CURVE CONCAVE SOUTHWESTERLY AND HAVING A RADIUS OF 585.00 FEET; THENCE NORTHWESTERLY ALONG THE ARC OF SAID CURVE THROUGH A CENTRAL ANGLE OF 47°00'00", AN ARC DISTANCE OF 479.88 FEET; THENCE ALONG A NON-TANGENT LINE RUN N89°36'19"W, 198.21 FEET TO THE POINT OF BEGINNING.

GIBSON PLACE UTILITY COMPANY, LLC
SUMTER AND LAKE COUNTIES
WATER AND WASTEWATER SERVICE AREA

DESCRIPTION AFTER DELETION

THAT PORTION OF THE SOUTHWEST 1/4 OF SECTION 35, TOWNSHIP 19 SOUTH, RANGE 23 EAST, SUMTER COUNTY, FLORIDA, LYING SOUTHWESTERLY OF FLORIDA'S TURNPIKE.

AND:

THAT PORTION OF SECTION 2, TOWNSHIP 20 SOUTH, RANGE 23 EAST, SUMTER COUNTY, FLORIDA, LYING SOUTHWESTERLY OF FLORIDA'S TURNPIKE.

AND:

THAT PORTION OF SECTION 3, TOWNSHIP 20 SOUTH, RANGE 23 EAST, SUMTER COUNTY, FLORIDA, LYING EASTERLY OF THE EAST RIGHT-OF-WAY FOR MARSH BEND TRAIL (ALSO KNOW AS COUNTY ROAD 501).

LESS THE FOLLOWING DESCRIBED LAND:

FROM THE NORTHWEST CORNER OF THE SOUTHWEST 1/4 OF SECTION 3, TOWNSHIP 20 SOUTH, RANGE 23 EAST, SUMTER COUNTY, FLORIDA, RUN S33°52'42"E, 202.27 FEET, THENCE RUN N66°56'13"E, 149.98 FEET TO A POINT ON THE EASTERLY RIGHT OF WAY LINE OF MARSH BEND TRAIL (ALSO KNOW AS COUNTY ROAD 501) FOR THE POINT OF BEGINNING THENCE CONTINUE N66°56'13"E, 415.12 FEET; THENCE RUN S23°03'47"E, 396.69 FEET; THENCE RUN S66°56'13"W, 414.82 FEET TO A POINT ON THE AFORESAID EASTERLY RIGHT-OF-WAY LINE OF MARSH BEND TRAIL (ALSO KNOWN AS COUNTY ROAD 501); SAID POINT LYING ON A CURVE CONCAVED NORTHEASTERLY AND HAVING A RADIUS OF 2,920.00 FEET, THENCE NORTHWESTERLY ALONG THE ARC OF SAID CURVE THROUGH A CENTRAL ANGLE OF 07°47'23" AND A CHORD BEARING AND DISTANCE OF N23°06'23"W, 396.69 FEET; THENCE NORTHWESTERLY ALONG SAID CURVE AN ARC DISTANCE OF 397.00 FEET TO THE POINT OF BEGINNING.

AND:

TOGETHER WITH THAT PORTION OF SECTION 10, TOWNSHIP 20 SOUTH, RANGE 23 EAST, SUMTER COUNTY, FLORIDA; LYING NORTH OF THE RIGHT OF WAY FOR COUNTY ROAD C470 AND LYING NORTHEASTERLY AND EASTERLY OF MARSH BEND TRAIL (ALSO KNOWN AS COUNTY ROAD 501).

LESS THOSE PORTIONS OF SAID SECTION 10 DESCRIBED AS FOLLOWS: THE NORTH 405.00 FEET OF THE NORTHWEST 1/4 OF THE SOUTHEAST 1/4 AND LESS

THE SOUTH 270.00 FEET OF THE NORTH 675.00 FEET OF THE WEST 885.00 FEET OF THE NORTHWEST 1/4 OF THE SOUTHEAST 1/4; ALSO LESS THE SOUTH 1/4 OF THE SOUTHWEST 1/4 OF THE NORTHEAST 1/4.

AND

TOGETHER WITH ALL OF SECTION 11, TOWNSHIP 20 SOUTH, RANGE 23 EAST, SUMTER COUNTY, FLORIDA; LESS RIGHT OF WAY FOR COUNTY ROAD C470.

AND

TOGETHER WITH THOSE PORTIONS OF SECTIONS 1 AND 12, TOWNSHIP 20 SOUTH, RANGE 23 EAST, SUMTER COUNTY, FLORIDA; LYING SOUTH OF THE WESTERLY RIGHT OF WAY FOR FLORIDA'S TURNPIKE; LESS THE RIGHT OF WAY FOR COUNTY ROAD C470;

AND LESS:

COMMENCE AT THE SOUTHEAST CORNER OF THE SOUTHEAST 1/4 OF AFORESAID SECTION 12; THENCE ALONG THE EAST LINE THEREOF RUN N00°08'05"E, 2,080.80 FEET TO THE POINT OF BEGINNING; THENCE DEPARTING SAID EAST LINE RUN N89°36'19"W, 1,443.73 FEET; THENCE N00°09'06"E, 3,453.59 FEET; THENCE S47°36'14"E, 391.59 FEET; THENCE N42°23'46"E, 672.81 FEET TO A POINT ON THE ARC OF A NON-TANGENT CURVE CONCAVE SOUTHWESTERLY, HAVING A RADIUS OF 5,579.58 FEET AND A CHORD BEARING AND DISTANCE OF S43°55'07"E, 194.08 FEET TO WHICH A RADIAL LINE BEARS N45°05'06"E; SAID POINT ALSO BEING ON THE WESTERLY RIGHT OF WAY LINE OF FLORIDA'S TURNPIKE; THE FOLLOWING TWO (2) COURSES BEING ALONG SAID WESTERLY RIGHT OF WAY LINE: RUN SOUTHEASTERLY ALONG THE ARC OF SAID CURVE, THROUGH A CENTRAL ANGLE OF 01°59'35", AN ARC DISTANCE OF 194.09 FEET TO THE POINT OF TANGENCY; THENCE S42°55'19"E, 828.24 FEET TO THE EAST LINE OF THE NORTHEAST 1/4 OF AFORESAID SECTION 12; THENCE ALONG SAID EAST LINE RUN S00°08'05"W, 2,376.97 FEET TO THE NORTHEAST CORNER OF THE SOUTHEAST 1/4 OF SAID SECTION 12; THENCE ALONG THE AFORESAID EAST LINE THEREOF CONTINUE S00°08'05"W, 573.10 FEET TO THE POINT OF BEGINNING.

AND

TOGETHER WITH THE EAST 1/2 OF NORTHWEST 1/4 AND THE WEST 1/2 OF THE NORTHEAST 1/4 AND THE SOUTHWEST 1/4 OF THE NORTHWEST 1/4 ALL IN SECTION 13, TOWNSHIP 20 SOUTH, RANGE 23 EAST, SUMTER COUNTY, FLORIDA.

LESS:

COUNTY ROAD C470 RIGHT-OF-WAY.

AND

TOGETHER WITH THE NORTHWEST 1/4 OF THE SOUTHEAST 1/4 OF THE NORTHEAST 1/4 OF SECTION 13, TOWNSHIP 20 SOUTH, RANGE 23 EAST, SUMTER COUNTY, FLORIDA, LESS THE SOUTHEAST 1/4 OF THE NORTHWEST 1/4 OF THE SOUTHEAST 1/4 OF THE NORTHEAST 1/4 THEREOF.

AND

TOGETHER WITH THE SOUTH 1/2 OF SECTION 13 AND SECTIONS 14, 15, 16, 21 AND 22, ALL IN TOWNSHIP 20 SOUTH, RANGE 23 EAST, SUMTER COUNTY, FLORIDA, LESS THE RIGHT OF WAY FOR COUNTY ROAD C470.

AND LESS AND EXCEPT ANY PORTIONS THEREOF LYING SOUTHERLY, SOUTHEASTERLY, SOUTHWESTERLY AND WESTERLY OF THE FOLLOWING DESCRIBED LINE:

COMMENCE AT THE NORTHEAST CORNER OF THE SOUTHEAST 1/4 OF AFORESAID SECTION 13; THENCE ALONG THE EAST LINE THEREOF RUN S00°16'48"W, 1,590.67 FEET TO A POINT ON THE ARC OF A NON-TANGENT CURVE CONCAVE SOUTHERLY, HAVING A RADIUS OF 9,651.36 FEET AND A CHORD BEARING AND DISTANCE OF N69°01'48"W, 2,583.11 FEET TO WHICH A RADIAL LINE BEARS N28°39'38"W; SAID POINT ALSO BEING THE POINT OF BEGINNING OF SAID LINE; THENCE DEPARTING SAID EAST LINE RUN WESTERLY ALONG THE ARC OF SAID CURVE, THROUGH A CENTRAL ANGLE OF 15°22'51", AN ARC DISTANCE OF 2,590.88 FEET; THENCE ALONG A NON-TANGENT LINE RUN N75°13'45"W, 290.32 FEET; THENCE N80°51'33"W, 267.86 FEET; THENCE N84°40'29"W, 360.25 FEET; THENCE S87°30'39"W, 559.85 FEET; THENCE S82°33'15"W, 283.05 FEET; THENCE S77°23'44"W, 474.36 FEET; THENCE S70°43'26"W, 653.72 FEET; THENCE S73°41'20"W, 779.80 FEET; THENCE S78°15'44"W, 478.13 FEET THENCE S82°14'08"W, 539.95 FEET; THENCE N90°00'00"W, 282.70 FEET; THENCE N82°30'35"W, 297.27 FEET; THENCE N76°33'15"W, 914.81 FEET THENCE N71°26'18"W, 488.25 FEET; THENCE N68°12'01"W, 427.81 FEET; THENCE N59°33'31"W, 456.73 FEET; THENCE N59°06'26"W, 491.06 FEET THENCE N66°59'34"W, 547.87 FEET; THENCE N77°00'45"W, 508.58 FEET; THENCE N88°50'57"W, 1,436.86 FEET THENCE S00°50'57"E, 1,181.41 FEET; THENCE S18°02'39"W, 1,061.02 FEET; THENCE S44°47'44"W, 662.62 FEET; THENCE S49°51'54"W, 730.64 FEET; THENCE S41°57'54"W, 586.89 FEET; THENCE S42°40'07"W, 161.39 FEET TO A POINT ON THE ARC OF A NON-TANGENT CURVE CONCAVE SOUTHWESTERLY, HAVING A RADIUS OF 1,421.74 FEET AND A CHORD BEARING AND DISTANCE OF N65°19'11"W, 604.30 FEET TO WHICH A RADIAL LINE BEARS N36°57'02"E; THENCE NORTHWESTERLY ALONG THE ARC OF SAID CURVE, THROUGH A CENTRAL ANGLE OF 24°32'26", AN ARC DISTANCE OF 608.95 FEET TO A POINT ON THE ARC OF A NON-TANGENT CURVE CONCAVE NORTHEASTERLY, HAVING A RADIUS OF 1,280.30 FEET AND A CHORD BEARING AND DISTANCE OF N63°49'48"W, 710.72 FEET TO WHICH A RADIAL LINE BEARS S10°03'20"W; THENCE NORTHWESTERLY ALONG THE ARC OF SAID CURVE, THROUGH A CENTRAL ANGLE OF 32°13'45", AN ARC

DISTANCE OF 720.17 FEET; THENCE ALONG A NON-TANGENT LINE RUN N43°57'33"W, 84.49 FEET; THENCE N46°28'40"W, 6.34 FEET TO THE POINT OF CURVATURE OF A CURVE CONCAVE SOUTHERLY AND HAVING A RADIUS OF 82.00 FEET; THENCE WESTERLY ALONG THE ARC OF SAID CURVE THROUGH A CENTRAL ANGLE OF 47°30'10", AN ARC DISTANCE OF 67.98 FEET TO THE POINT OF REVERSE CURVATURE OF A CURVE CONCAVE NORTHERLY AND HAVING A RADIUS OF 143.00 FEET; THENCE WESTERLY ALONG THE ARC OF SAID CURVE THROUGH A CENTRAL ANGLE OF 16°33'43", AN ARC DISTANCE OF 41.34 FEET TO THE POINT OF REVERSE CURVATURE OF A CURVE CONCAVE SOUTHERLY AND HAVING A RADIUS OF 82.00 FEET; THENCE WESTERLY ALONG THE ARC OF SAID CURVE THROUGH A CENTRAL ANGLE OF 47°53'21", AN ARC DISTANCE OF 68.54 FEET TO A POINT OF COMPOUND CURVATURE OF A CURVE CONCAVE SOUTHEASTERLY AND HAVING A RADIUS OF 2,130.00 FEET; THENCE SOUTHWESTERLY ALONG THE ARC OF SAID CURVE THROUGH A CENTRAL ANGLE OF 00°24'56", AN ARC DISTANCE OF 15.45 FEET; THENCE ALONG A RADIAL LINE RUN N35°43'23"W, 5.00 FEET TO A POINT ON THE ARC OF A NON-TANGENT CURVE CONCAVE SOUTHEASTERLY, HAVING A RADIUS OF 2,135.00 FEET AND A CHORD BEARING AND DISTANCE OF S48°31'29"W, 427.97 FEET TO WHICH A RADIAL LINE BEARS N35°43'23"W; THENCE SOUTHWESTERLY ALONG THE ARC OF SAID CURVE, THROUGH A CENTRAL ANGLE OF 11°30'16", AN ARC DISTANCE OF 428.69 FEET TO A POINT OF COMPOUND CURVATURE OF A CURVE CONCAVE SOUTHEASTERLY AND HAVING A RADIUS OF 585.00 FEET; THENCE SOUTHWESTERLY ALONG THE ARC OF SAID CURVE THROUGH A CENTRAL ANGLE OF 24°23'02", AN ARC DISTANCE OF 248.96 FEET; THENCE ALONG A NON-TANGENT LINE RUN S28°04'56"W, 101.44 FEET; THENCE N72°01'05"W, 104.73 FEET; THENCE N01°38'04"W, 108.91 FEET TO A POINT ON THE ARC OF A NON-TANGENT CURVE CONCAVE SOUTHEASTERLY, HAVING A RADIUS OF 739.68 FEET AND A CHORD BEARING AND DISTANCE OF N30°40'48"E, 312.69 FEET TO WHICH A RADIAL LINE BEARS N71°31'21"W; THENCE NORTHEASTERLY ALONG THE ARC OF SAID CURVE, THROUGH A CENTRAL ANGLE OF 24°24'19", AN ARC DISTANCE OF 315.07 FEET TO A POINT ON THE ARC OF A NON-TANGENT CURVE CONCAVE SOUTHEASTERLY, HAVING A RADIUS OF 2,270.00 FEET AND A CHORD BEARING AND DISTANCE OF N47°53'16"E, 418.91 FEET TO WHICH A RADIAL LINE BEARS N47°24'23"W; THENCE NORTHEASTERLY ALONG THE ARC OF SAID CURVE, THROUGH A CENTRAL ANGLE OF 10°35'18", AN ARC DISTANCE OF 419.50 FEET TO THE POINT OF REVERSE CURVATURE OF A CURVE CONCAVE WESTERLY AND HAVING A RADIUS OF 153.50 FEET; THENCE NORTHERLY ALONG THE ARC OF SAID CURVE THROUGH A CENTRAL ANGLE OF 82°29'10", AN ARC DISTANCE OF 220.99 FEET TO A POINT ON THE ARC OF A NON-TANGENT CURVE CONCAVE NORTHEASTERLY, HAVING A RADIUS OF 1,465.03 FEET AND A CHORD BEARING AND DISTANCE OF N25°14'50"W, 207.88 FEET TO WHICH A RADIAL LINE BEARS S60°41'04"W; THENCE NORTHWESTERLY ALONG THE ARC OF SAID CURVE, THROUGH A CENTRAL ANGLE OF 08°08'12", AN ARC DISTANCE OF 208.05 FEET TO A POINT ON THE ARC OF A NON-TANGENT CURVE CONCAVE EASTERLY, HAVING A RADIUS OF 1,466.00 FEET AND A CHORD BEARING AND DISTANCE OF N10°48'17"W, 528.05 FEET TO WHICH A RADIAL LINE BEARS S68°49'11"W; THENCE

NORTHERLY ALONG THE ARC OF SAID CURVE, THROUGH A CENTRAL ANGLE OF 20°45'03", AN ARC DISTANCE OF 530.94 FEET TO THE POINT OF TANGENCY; THENCE N00°25'46"W, 106.32 FEET; THENCE N45°25'46"W, 14.14 FEET; THENCE N00°25'46"W, 18.64 FEET TO THE POINT OF CURVATURE OF A CURVE CONCAVE WESTERLY AND HAVING A RADIUS OF 2,395.00 FEET; THENCE NORTHERLY ALONG THE ARC OF SAID CURVE THROUGH A CENTRAL ANGLE OF 08°24'09", AN ARC DISTANCE OF 351.23 FEET; THENCE ALONG A NON-TANGENT LINE RUN N02°09'22"E, 49.85 FEET TO A POINT ON THE ARC OF A NON-TANGENT CURVE CONCAVE WESTERLY, HAVING A RADIUS OF 2,405.00 FEET AND A CHORD BEARING AND DISTANCE OF N13°00'07"W, 252.07 FEET TO WHICH A RADIAL LINE BEARS N80°00'07"E; THENCE NORTHERLY ALONG THE ARC OF SAID CURVE, THROUGH A CENTRAL ANGLE OF 06°00'28", AN ARC DISTANCE OF 252.18 FEET TO A POINT ON THE ARC OF A NON-TANGENT CURVE CONCAVE SOUTHWESTERLY, HAVING A RADIUS OF 496.00 FEET AND A CHORD BEARING AND DISTANCE OF N27°26'09"W, 15.53 FEET TO WHICH A RADIAL LINE BEARS N63°27'41"E; THENCE NORTHWESTERLY ALONG THE ARC OF SAID CURVE, THROUGH A CENTRAL ANGLE OF 01°47'40", AN ARC DISTANCE OF 15.53 FEET TO THE POINT OF REVERSE CURVATURE OF A CURVE CONCAVE NORTHEASTERLY AND HAVING A RADIUS OF 520.00 FEET; THENCE NORTHWESTERLY ALONG THE ARC OF SAID CURVE THROUGH A CENTRAL ANGLE OF 09°45'13", AN ARC DISTANCE OF 88.52 FEET TO THE POINT OF REVERSE CURVATURE OF A CURVE CONCAVE SOUTHWESTERLY AND HAVING A RADIUS OF 31.00 FEET; THENCE NORTHWESTERLY ALONG THE ARC OF SAID CURVE THROUGH A CENTRAL ANGLE OF 49°11'47", AN ARC DISTANCE OF 26.62 FEET TO THE POINT OF REVERSE CURVATURE OF A CURVE CONCAVE EASTERLY AND HAVING A RADIUS OF 34.17 FEET; THENCE NORTHERLY ALONG THE ARC OF SAID CURVE THROUGH A CENTRAL ANGLE OF 96°44'17", AN ARC DISTANCE OF 57.69 FEET TO A POINT ON THE ARC OF A NON-TANGENT CURVE CONCAVE WESTERLY, HAVING A RADIUS OF 31.00 FEET AND A CHORD BEARING AND DISTANCE OF N04°04'14"E, 25.71 FEET TO WHICH A RADIAL LINE BEARS S61°25'53"E; THENCE NORTHERLY ALONG THE ARC OF SAID CURVE, THROUGH A CENTRAL ANGLE OF 48°59'46", AN ARC DISTANCE OF 26.51 FEET TO A POINT ON THE ARC OF A NON-TANGENT CURVE CONCAVE WESTERLY, HAVING A RADIUS OF 117.21 FEET AND A CHORD BEARING AND DISTANCE OF N21°41'08"W, 8.72 FEET TO WHICH A RADIAL LINE BEARS N70°26'47"E; THENCE NORTHERLY ALONG THE ARC OF SAID CURVE, THROUGH A CENTRAL ANGLE OF 04°15'51", AN ARC DISTANCE OF 8.72 FEET TO A POINT ON THE ARC OF A NON-TANGENT CURVE CONCAVE EASTERLY, HAVING A RADIUS OF 129.22 FEET AND A CHORD BEARING AND DISTANCE OF N16°52'05"W, 24.80 FEET TO WHICH A RADIAL LINE BEARS S67°37'34"W; THENCE NORTHERLY ALONG THE ARC OF SAID CURVE, THROUGH A CENTRAL ANGLE OF 11°00'42", AN ARC DISTANCE OF 24.83 FEET TO THE POINT OF REVERSE CURVATURE OF A CURVE CONCAVE SOUTHWESTERLY AND HAVING A RADIUS OF 208.00 FEET; THENCE NORTHWESTERLY ALONG THE ARC OF SAID CURVE THROUGH A CENTRAL ANGLE OF 57°36'46", AN ARC DISTANCE OF 209.15 FEET TO THE POINT OF REVERSE CURVATURE OF A CURVE CONCAVE NORTHEASTERLY AND HAVING A RADIUS OF 202.00 FEET; THENCE NORTHWESTERLY ALONG THE ARC OF SAID CURVE THROUGH A CENTRAL

ANGLE OF 11°03'01", AN ARC DISTANCE OF 38.96 FEET TO THE POINT OF REVERSE CURVATURE OF A CURVE CONCAVE SOUTHERLY AND HAVING A RADIUS OF 129.00 FEET; THENCE WESTERLY ALONG THE ARC OF SAID CURVE THROUGH A CENTRAL ANGLE OF 41°30'21", AN ARC DISTANCE OF 93.45 FEET TO THE POINT OF REVERSE CURVATURE OF A CURVE CONCAVE NORTHERLY AND HAVING A RADIUS OF 232.00 FEET; THENCE WESTERLY ALONG THE ARC OF SAID CURVE THROUGH A CENTRAL ANGLE OF 21°31'36", AN ARC DISTANCE OF 87.16 FEET; THENCE ALONG A NON-TANGENT LINE RUN N74°35'56"W, 53.59 FEET; THENCE N04°00'00"E, 146.00 FEET; THENCE S86°00'00"E, 42.50 FEET TO A POINT ON THE ARC OF A NON-TANGENT CURVE CONCAVE NORTHERLY, HAVING A RADIUS OF 199.85 FEET AND A CHORD BEARING AND DISTANCE OF N84°04'45"E, 85.35 FEET TO WHICH A RADIAL LINE BEARS S06°24'33"W; THENCE EASTERLY ALONG THE ARC OF SAID CURVE, THROUGH A CENTRAL ANGLE OF 24°39'36", AN ARC DISTANCE OF 86.01 FEET TO A POINT ON THE ARC OF A NON-TANGENT CURVE CONCAVE SOUTHEASTERLY, HAVING A RADIUS OF 315.35 FEET AND A CHORD BEARING AND DISTANCE OF N30°38'13"E, 142.88 FEET TO WHICH A RADIAL LINE BEARS N72°27'24"W; THENCE NORTHEASTERLY ALONG THE ARC OF SAID CURVE, THROUGH A CENTRAL ANGLE OF 26°11'14", AN ARC DISTANCE OF 144.13 FEET TO A POINT ON THE ARC OF A NON-TANGENT CURVE CONCAVE EASTERLY, HAVING A RADIUS OF 2,189.00 FEET AND A CHORD BEARING AND DISTANCE OF N13°47'24"W, 443.92 FEET TO WHICH A RADIAL LINE BEARS S70°23'25"W; THENCE NORTHERLY ALONG THE ARC OF SAID CURVE, THROUGH A CENTRAL ANGLE OF 11°38'22", AN ARC DISTANCE OF 444.68 FEET; THENCE ALONG A NON-TANGENT LINE RUN N52°12'57"W, 14.30 FEET TO A POINT ON THE ARC OF A NON-TANGENT CURVE CONCAVE EASTERLY, HAVING A RADIUS OF 2,199.00 FEET AND A CHORD BEARING AND DISTANCE OF N04°26'00"W, 250.89 FEET TO WHICH A RADIAL LINE BEARS S82°17'48"W; THENCE NORTHERLY ALONG THE ARC OF SAID CURVE, THROUGH A CENTRAL ANGLE OF 06°32'26", AN ARC DISTANCE OF 251.02 FEET; THENCE ALONG A NON-TANGENT LINE RUN N10°30'22"E, 52.36 FEET; THENCE N00°00'00"W, 253.60 FEET TO A POINT ON THE ARC OF A NON-TANGENT CURVE CONCAVE SOUTHWESTERLY, HAVING A RADIUS OF 90.41 FEET AND A CHORD BEARING AND DISTANCE OF N34°50'13"W, 111.37 FEET TO WHICH A RADIAL LINE BEARS S86°48'58"E; THENCE NORTHWESTERLY ALONG THE ARC OF SAID CURVE, THROUGH A CENTRAL ANGLE OF 76°02'30", AN ARC DISTANCE OF 119.99 FEET; THENCE ALONG A NON-TANGENT LINE RUN N01°36'46"W, 130.53 FEET TO A POINT ON THE ARC OF A NON-TANGENT CURVE CONCAVE NORTHWESTERLY, HAVING A RADIUS OF 75.00 FEET AND A CHORD BEARING AND DISTANCE OF N32°40'15"E, 124.87 FEET TO WHICH A RADIAL LINE BEARS S00°58'26"E; THENCE NORTHEASTERLY ALONG THE ARC OF SAID CURVE, THROUGH A CENTRAL ANGLE OF 112°42'37", AN ARC DISTANCE OF 147.54 FEET; THENCE ALONG A NON-TANGENT LINE RUN N68°34'03"E, 75.04 FEET TO A POINT ON THE ARC OF A NON-TANGENT CURVE CONCAVE WESTERLY, HAVING A RADIUS OF 330.00 FEET AND A CHORD BEARING AND DISTANCE OF S21°58'39"E, 13.76 FEET TO WHICH A RADIAL LINE BEARS N66°49'40"E; THENCE SOUTHERLY ALONG THE ARC OF SAID CURVE, THROUGH A CENTRAL ANGLE OF 02°23'23", AN ARC DISTANCE OF 13.76 FEET; THENCE ALONG A RADIAL LINE RUN N69°13'03"E, 15.00 FEET TO A POINT ON THE

ARC OF A NON-TANGENT CURVE CONCAVE NORTHEASTERLY, HAVING A RADIUS OF 87.00 FEET AND A CHORD BEARING AND DISTANCE OF S45°35'26"E, 73.01 FEET TO WHICH A RADIAL LINE BEARS S69°13'03"W; THENCE SOUTHEASTERLY ALONG THE ARC OF SAID CURVE, THROUGH A CENTRAL ANGLE OF 49°36'57", AN ARC DISTANCE OF 75.34 FEET TO THE POINT OF REVERSE CURVATURE OF A CURVE CONCAVE SOUTHWESTERLY AND HAVING A RADIUS OF 138.00 FEET; THENCE SOUTHEASTERLY ALONG THE ARC OF SAID CURVE THROUGH A CENTRAL ANGLE OF 20°09'36", AN ARC DISTANCE OF 48.56 FEET TO THE POINT OF REVERSE CURVATURE OF A CURVE CONCAVE NORTHERLY AND HAVING A RADIUS OF 87.00 FEET; THENCE EASTERLY ALONG THE ARC OF SAID CURVE THROUGH A CENTRAL ANGLE OF 49°55'05", AN ARC DISTANCE OF 75.80 FEET TO A POINT OF COMPOUND CURVATURE OF A CURVE CONCAVE NORTHERLY AND HAVING A RADIUS OF 2,018.00 FEET; THENCE EASTERLY ALONG THE ARC OF SAID CURVE THROUGH A CENTRAL ANGLE OF 21°46'48", AN ARC DISTANCE OF 767.11 FEET TO THE POINT OF TANGENCY; THENCE N58°03'49"E, 181.42 FEET TO THE POINT OF CURVATURE OF A CURVE CONCAVE SOUTHERLY AND HAVING A RADIUS OF 2,148.00 FEET; THENCE EASTERLY ALONG THE ARC OF SAID CURVE THROUGH A CENTRAL ANGLE OF 26°20'08", AN ARC DISTANCE OF 987.31 FEET; THENCE ALONG A NON-TANGENT LINE RUN N05°18'27"W, 20.45 FEET TO A POINT ON THE ARC OF A NON-TANGENT CURVE CONCAVE NORTHEASTERLY, HAVING A RADIUS OF 226.00 FEET AND A CHORD BEARING AND DISTANCE OF N51°13'29"W, 293.96 FEET TO WHICH A RADIAL LINE BEARS S01°47'36"E; THENCE NORTHWESTERLY ALONG THE ARC OF SAID CURVE, THROUGH A CENTRAL ANGLE OF 81°08'13", AN ARC DISTANCE OF 320.04 FEET TO A POINT ON THE ARC OF A NON-TANGENT CURVE CONCAVE EASTERLY, HAVING A RADIUS OF 257.06 FEET AND A CHORD BEARING AND DISTANCE OF N06°41'16"W, 56.07 FEET TO WHICH A RADIAL LINE BEARS S77°03'04"W; THENCE NORTHERLY ALONG THE ARC OF SAID CURVE, THROUGH A CENTRAL ANGLE OF 12°31'19", AN ARC DISTANCE OF 56.18 FEET; THENCE ALONG A NON-TANGENT LINE RUN N00°00'00"E, 47.20 FEET TO THE POINT OF CURVATURE OF A CURVE CONCAVE SOUTHWESTERLY AND HAVING A RADIUS OF 30.00 FEET; THENCE NORTHWESTERLY ALONG THE ARC OF SAID CURVE THROUGH A CENTRAL ANGLE OF 90°00'00", AN ARC DISTANCE OF 47.12 FEET TO THE POINT OF TANGENCY; THENCE N90°00'00"W, 26.91 FEET TO THE POINT OF CURVATURE OF A CURVE CONCAVE NORTHEASTERLY AND HAVING A RADIUS OF 120.00 FEET; THENCE NORTHWESTERLY ALONG THE ARC OF SAID CURVE THROUGH A CENTRAL ANGLE OF 90°00'00", AN ARC DISTANCE OF 188.50 FEET TO THE POINT OF TANGENCY; THENCE N00°00'00"E, 208.39 FEET; THENCE N89°43'47"W, 1,012.01 FEET; THENCE N00°00'00"E, 155.00 FEET; THENCE N89°52'33"W, 2,419.01 FEET; THENCE N00°00'00"E, 462.00 FEET TO THE SOUTH RIGHT OF WAY LINE OF COUNTY ROAD C470 FOR THE POINT OF TERMINUS OF SAID LINE.

AND

TOGETHER WITH ALL OF SECTION 7, TOWNSHIP 20 SOUTH, RANGE 24 EAST, LAKE COUNTY, FLORIDA, LYING SOUTH OF THE WESTERLY RIGHT OF WAY OF FLORIDA'S TURNPIKE, LESS THE RIGHT-OF-WAY FOR COUNTY ROAD C470.

AND LESS AND EXCEPT ANY PORTIONS THEREOF LYING EASTERLY, NORTHEASTERLY AND NORTHERLY OF THE FOLLOWING DESCRIBED LINE:

COMMENCE AT THE SOUTHWEST CORNER OF THE SOUTHWEST 1/4 OF AFORESAID SECTION 7; THENCE ALONG THE EAST LINE THEREOF RUN N00°08'05"E, 50.01 FEET TO THE NORTHERLY RIGHT OF WAY LINE OF COUNTY ROAD C470; THE FOLLOWING TWO (2) COURSES BEING ALONG SAID NORTHERLY RIGHT OF WAY LINE: RUN S89°50'34"E, 1,347.80 FEET; THENCE S89°52'37"E, 124.68 FEET TO THE POINT OF BEGINNING; THENCE DEPARTING SAID NORTHERLY RIGHT OF WAY LINE RUN N00°08'05"E, 696.38 FEET TO THE POINT OF CURVATURE OF A CURVE CONCAVE WESTERLY AND HAVING A RADIUS OF 610.00 FEET; THENCE NORTHERLY ALONG THE ARC OF SAID CURVE THROUGH A CENTRAL ANGLE OF 21°20'29", AN ARC DISTANCE OF 227.21 FEET TO A POINT ON THE ARC OF A NON-TANGENT CURVE CONCAVE SOUTHWESTERLY, HAVING A RADIUS OF 130.41 FEET AND A CHORD BEARING AND DISTANCE OF N32°38'21"W, 242.58 FEET TO WHICH A RADIAL LINE BEARS S54°11'17"E; THENCE NORTHWESTERLY ALONG THE ARC OF SAID CURVE, THROUGH A CENTRAL ANGLE OF 136°54'09", AN ARC DISTANCE OF 311.59 FEET; THENCE ALONG A NON-TANGENT LINE RUN N42°51'55"W, 987.23 FEET TO THE POINT OF CURVATURE OF A CURVE CONCAVE SOUTHWESTERLY AND HAVING A RADIUS OF 585.00 FEET; THENCE NORTHWESTERLY ALONG THE ARC OF SAID CURVE THROUGH A CENTRAL ANGLE OF 47°00'00", AN ARC DISTANCE OF 479.88 FEET; THENCE ALONG A NON-TANGENT LINE RUN N89°36'19"W, 198.21 FEET TO THE AFORESAID EAST LINE; THENCE ALONG SAID EAST LINE RUN N00°08'05"E, 573.10 FEET TO THE SOUTHWEST CORNER OF THE NORTHWEST 1/4 OF SAID SECTION 7; THENCE ALONG THE WEST LINE THEREOF CONTINUE N00°08'05"E, 2,376.97 FEET TO THE WESTERLY RIGHT OF WAY LINE OF FLORIDA'S TURNPIKE FOR THE POINT OF TERMINUS OF SAID LINE.

EXHIBIT “D”

GPU has not completed the construction of its water and wastewater plants, nor its water distribution or wastewater collection systems in either the area to be deleted or the remaining original service area.

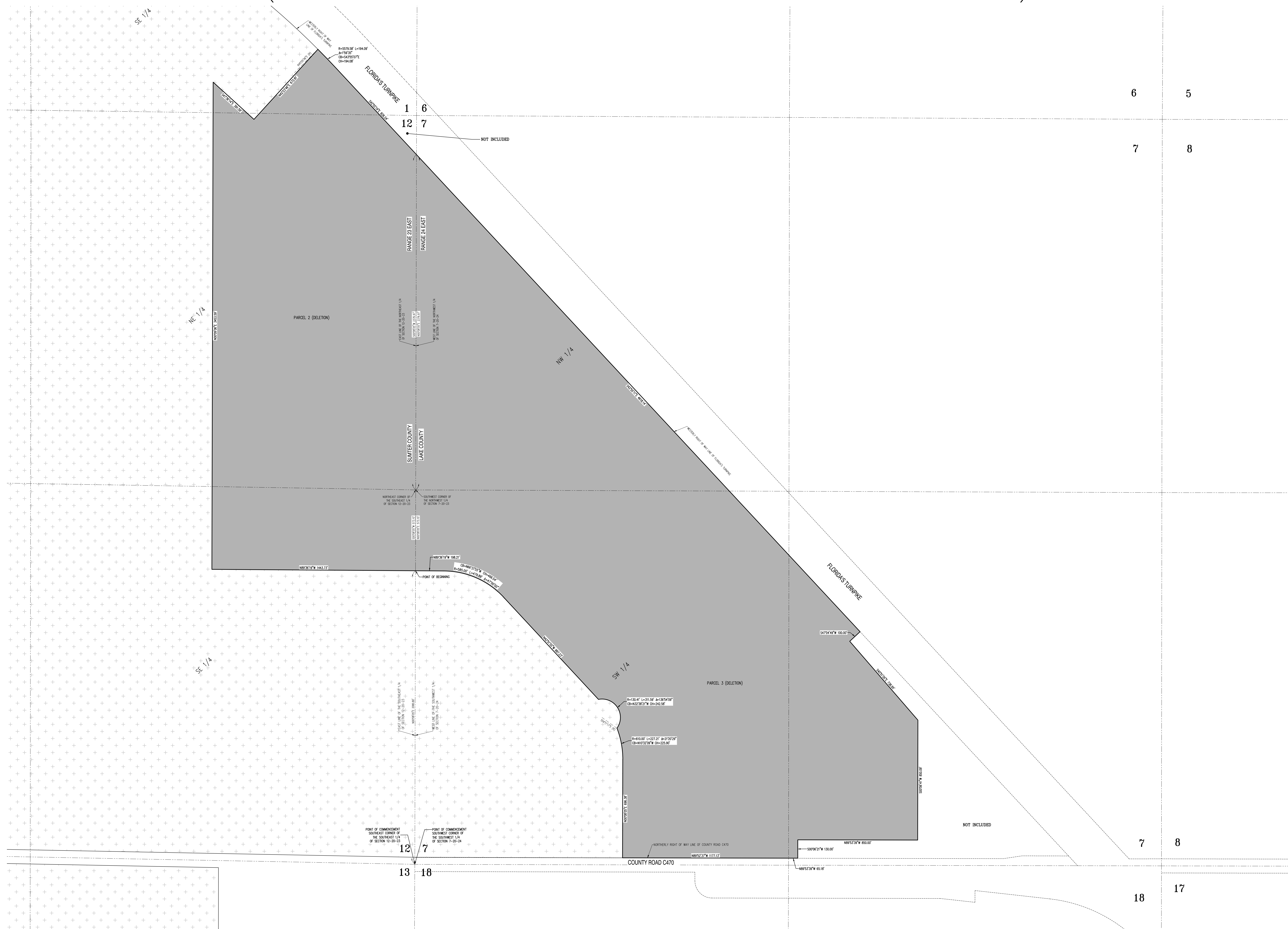
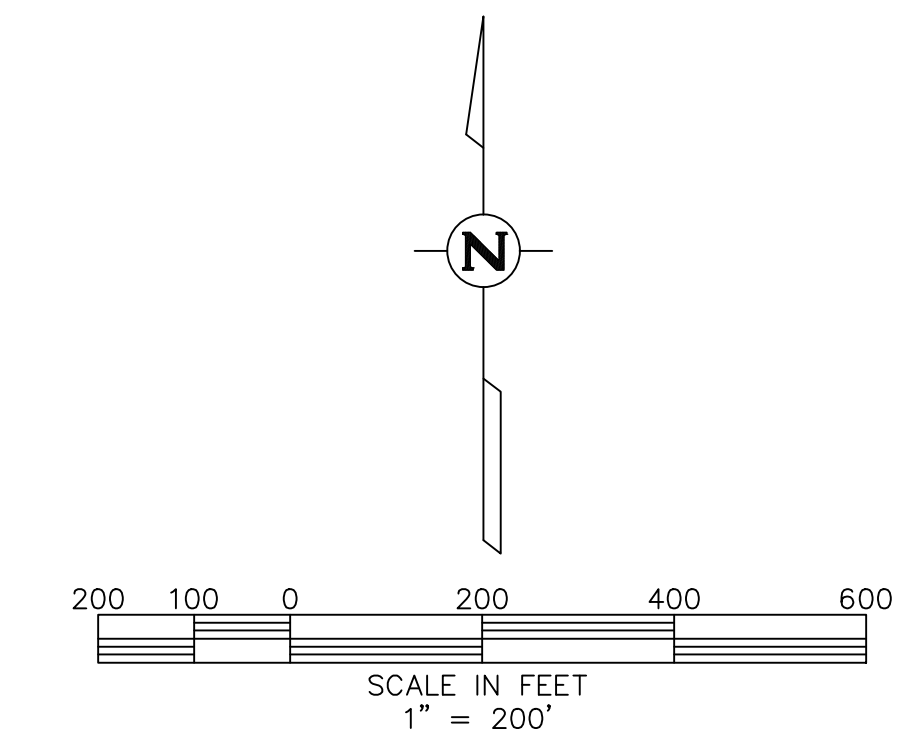
EXHIBIT “E”

Maps of the area to be deleted, and of the remaining service area after deletion

GIBSON PLACE UTILITY COMPANY, LLC SUMTER AND LAKE COUNTIES WATER AND WASTEWATER SERVICE AREA (EXISTING AND PROPOSED AREA TO BE DELETED)

TOWNSHIP 20 SOUTH,
RANGE 23 EAST,
SUMTER COUNTY,
FLORIDA

TOWNSHIP 20 SOUTH,
RANGE 24 EAST,
LAKE COUNTY,
FLORIDA

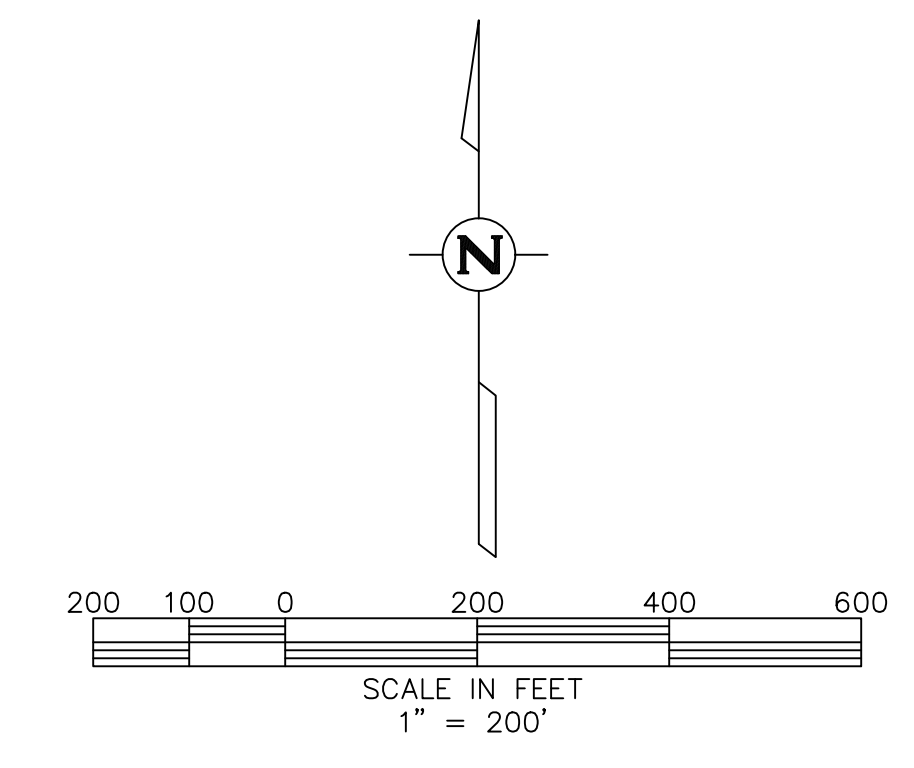


- EXISTING SERVICE AREA
- LANDS TO BE DELETED FROM EXISTING SERVICE AREA

CFB CLYMER FARNER BARLEY
 CLYMER FARNER BARLEY, Inc.
 4450 NE 83RD RD., WILLOWOOD, FL 34785
 (352)748-3126
 WWW.CFB-INC.COM CA #4709

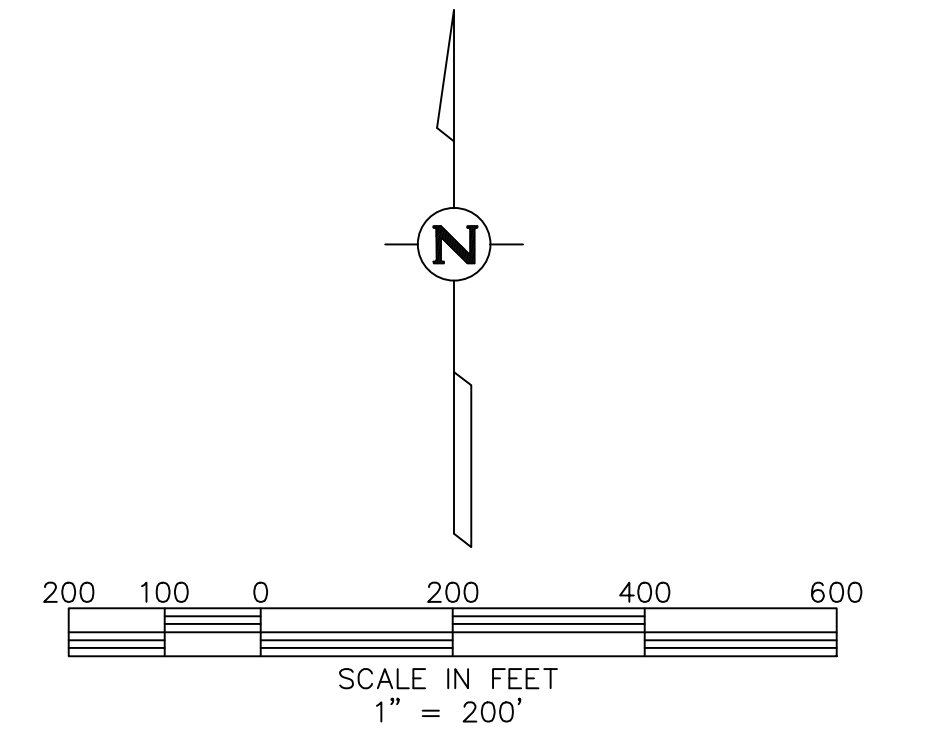
TOWNSHIP 20 SOUTH,
RANGE 23 EAST,
SUMTER COUNTY,
FLORIDA

GIBSON PLACE UTILITY COMPANY, LLC SUMTER AND LAKE COUNTIES WATER AND WASTEWATER SERVICE AREA (EXISTING AND PROPOSED AREA TO BE DELETED)

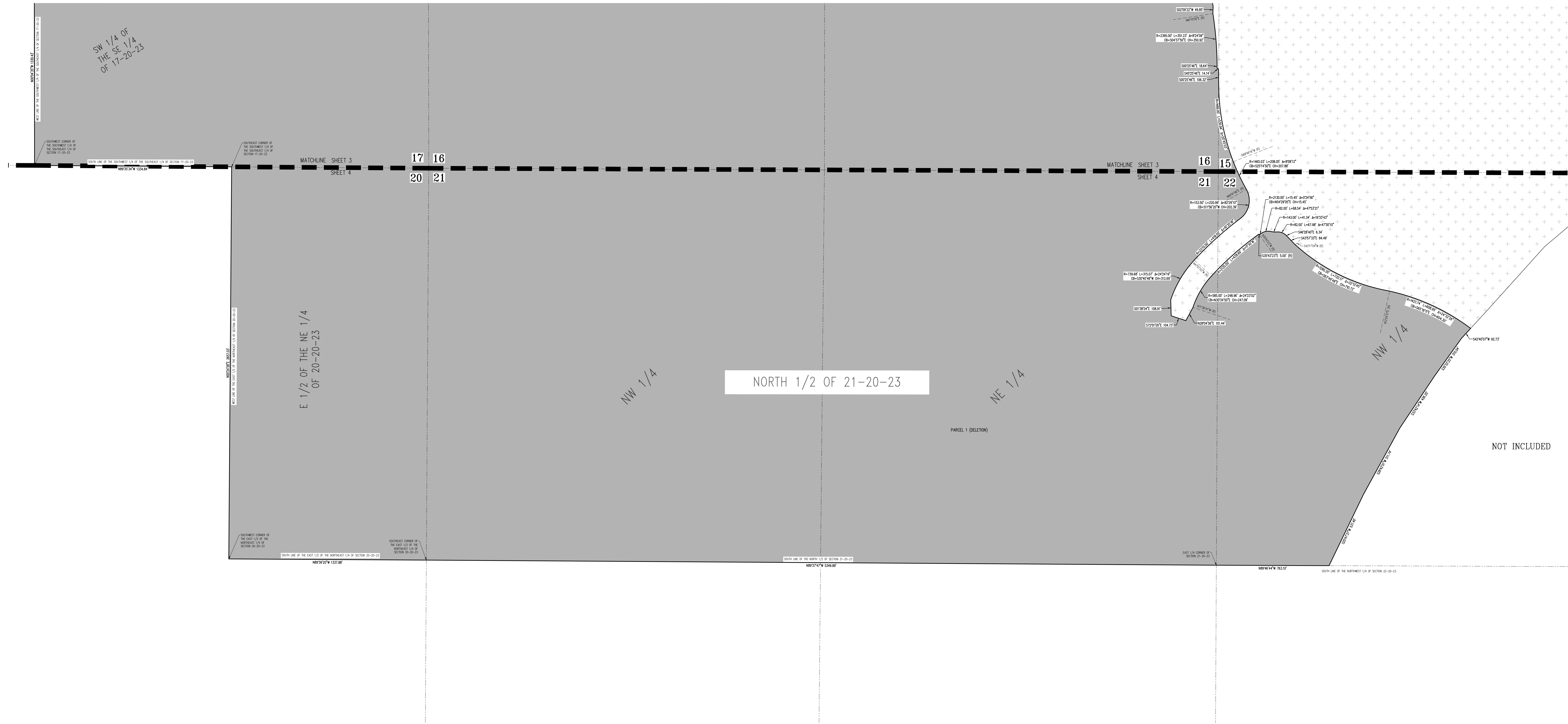


- EXISTING SERVICE AREA
- LANDS TO BE DELETED FROM EXISTING SERVICE AREA

GIBSON PLACE UTILITY COMPANY, LLC SUMTER AND LAKE COUNTIES WATER AND WASTEWATER SERVICE AREA (EXISTING AND PROPOSED AREA TO BE DELETED)

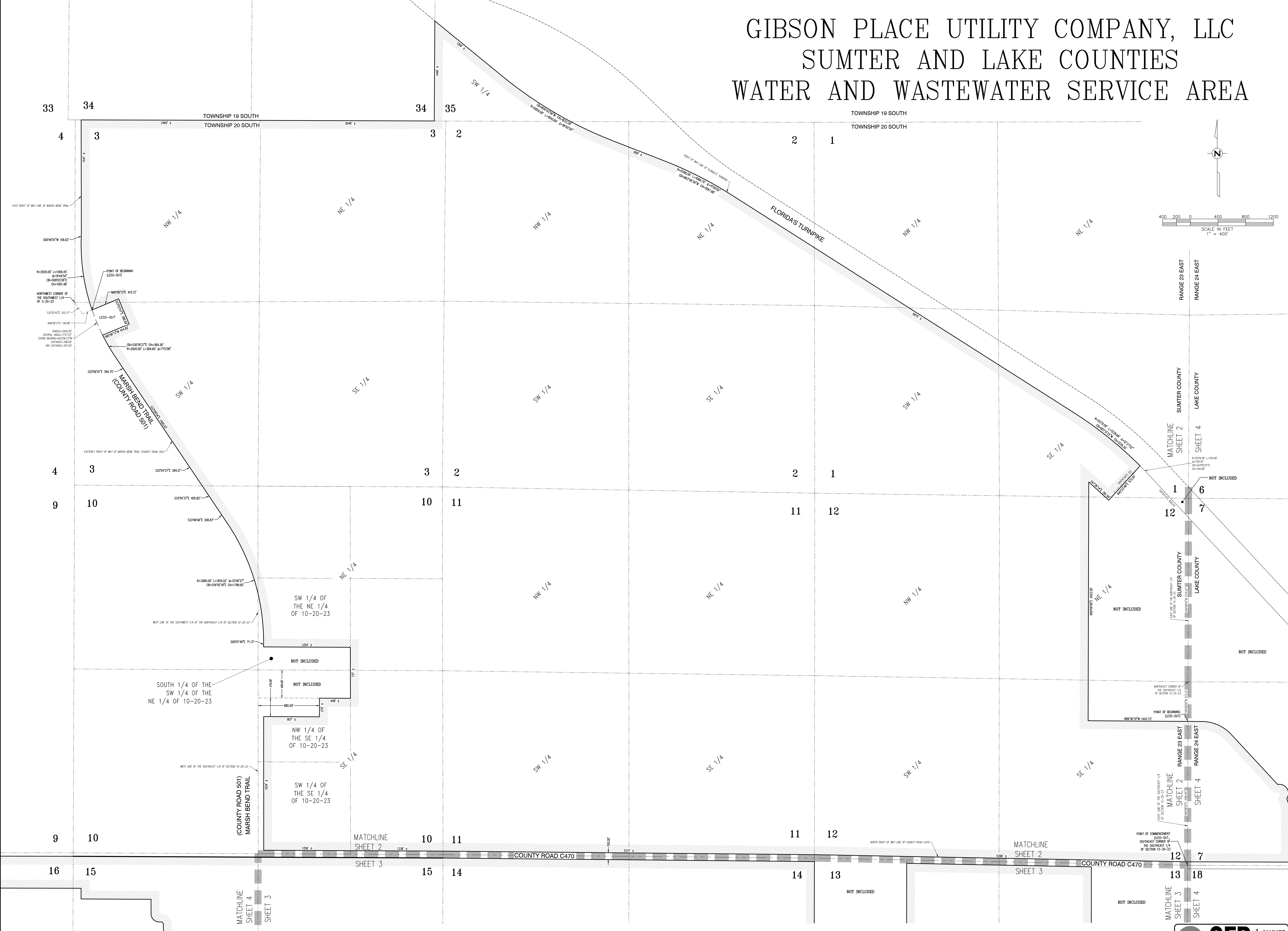
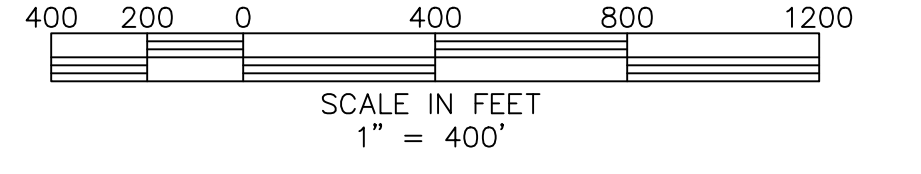
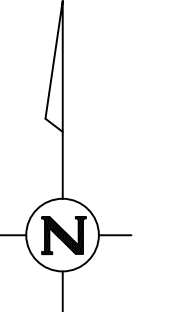


**TOWNSHIP 20 SOUTH,
RANGE 23 EAST,
SUMTER COUNTY,
FLORIDA**



- EXISTING SERVICE AREA
- LANDS TO BE DELETED FROM EXISTING SERVICE AREA

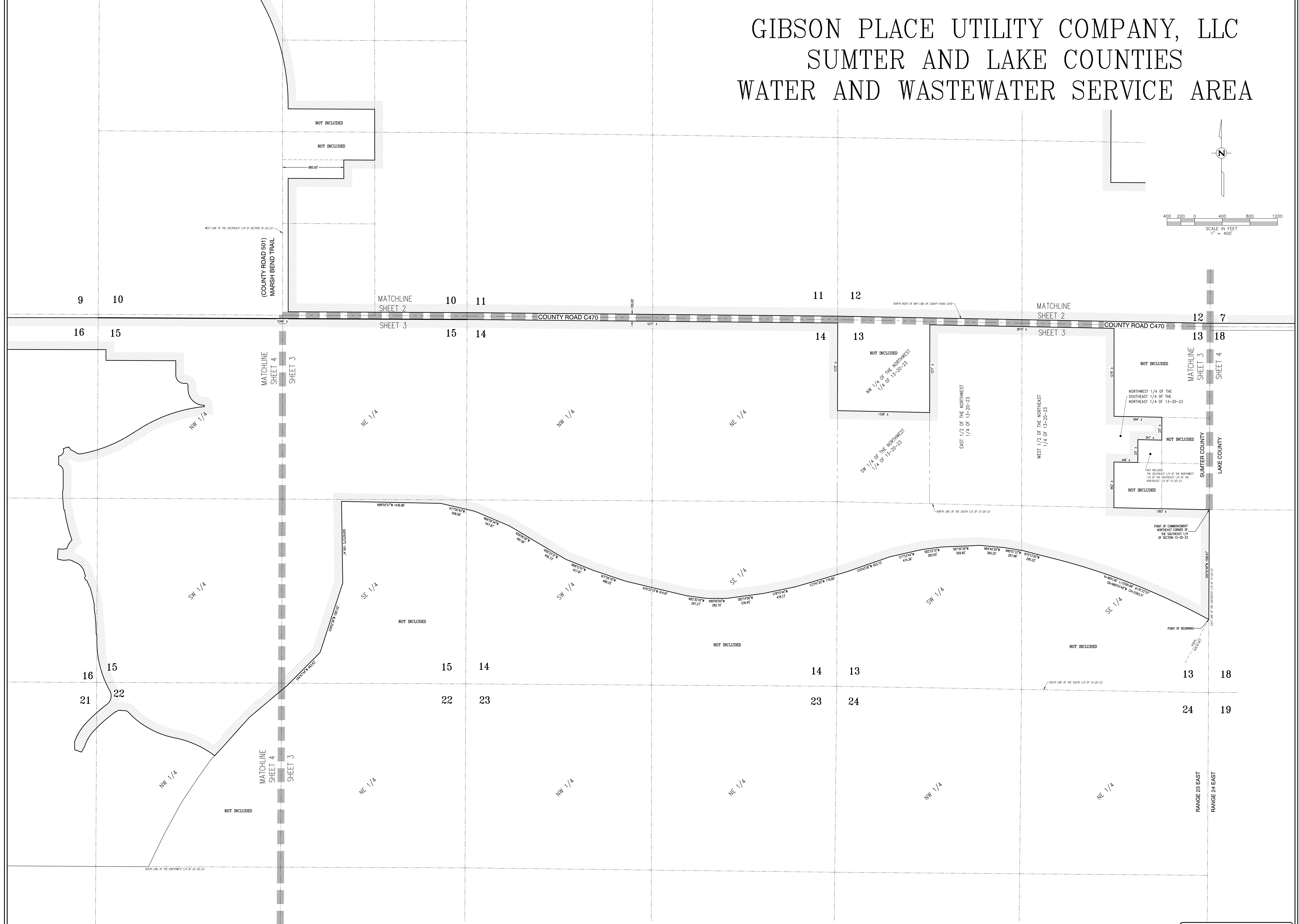
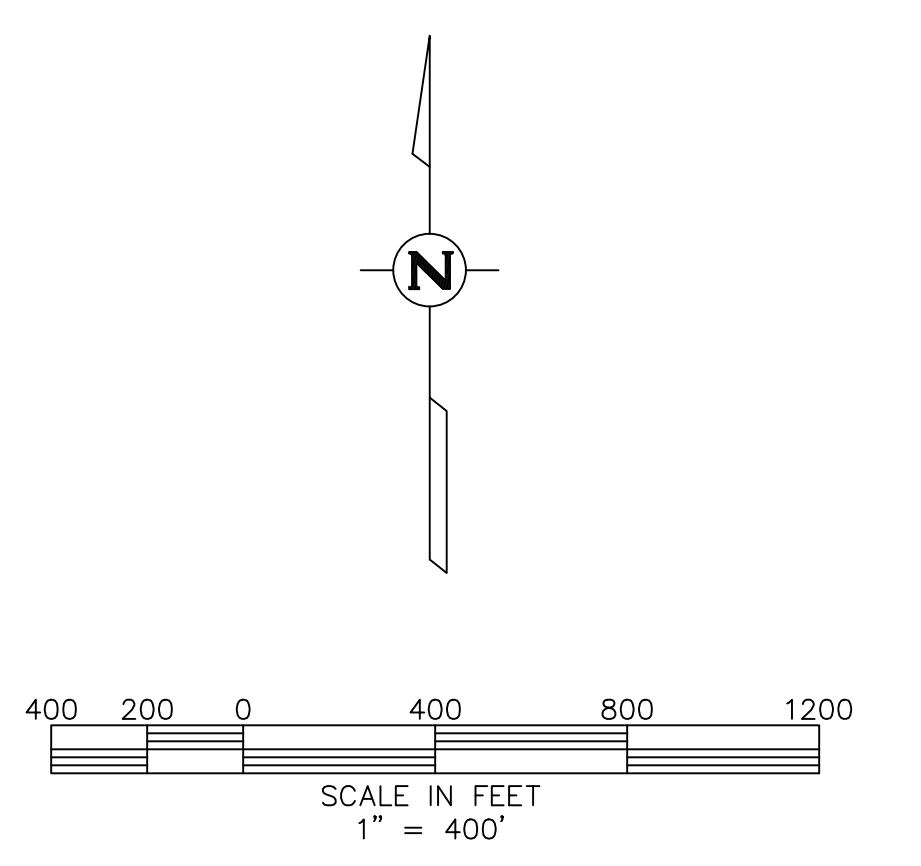
GIBSON PLACE UTILITY COMPANY, LLC SUMTER AND LAKE COUNTIES WATER AND WASTEWATER SERVICE AREA



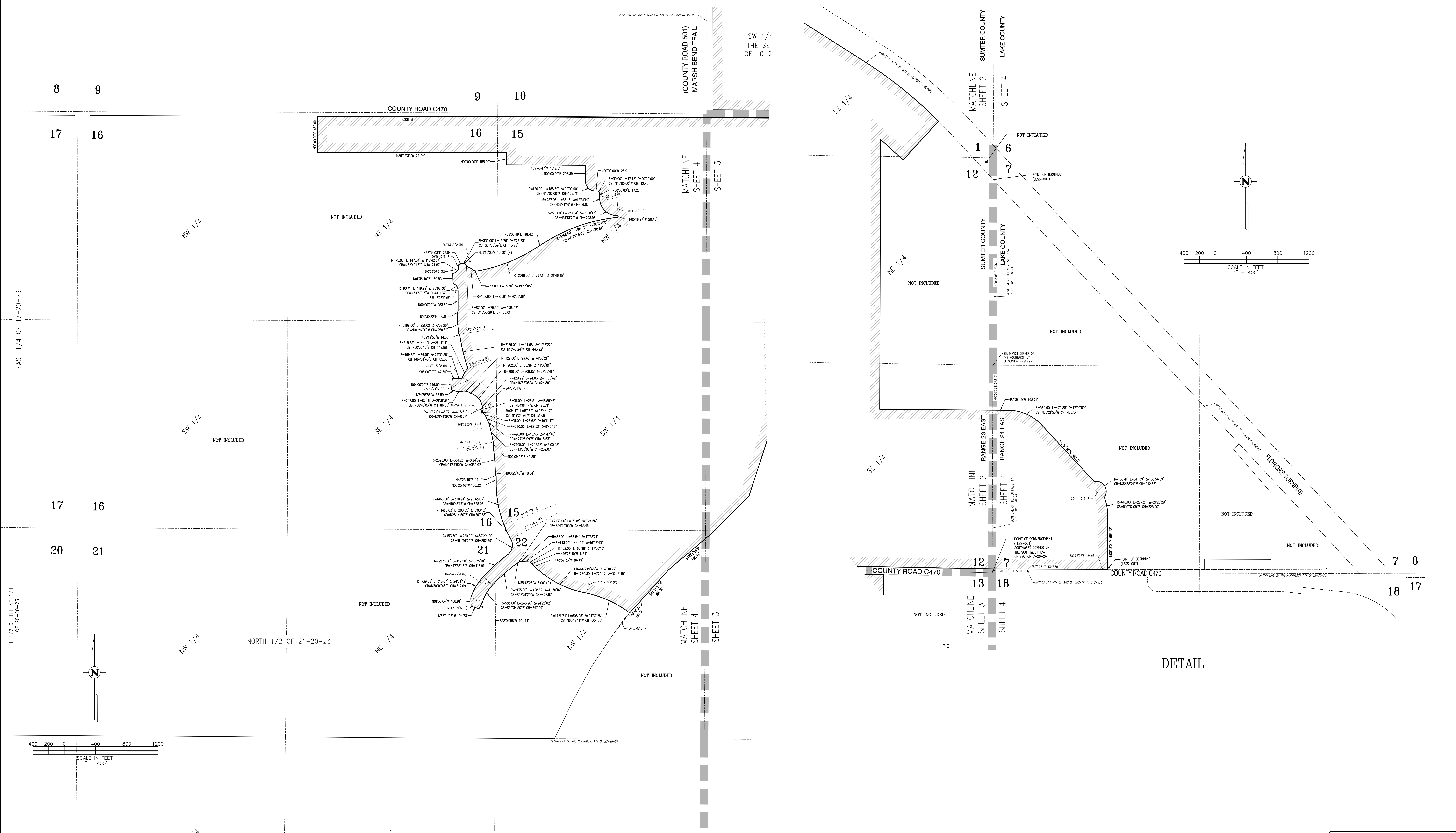
PROPOSED WATER AND WASTEWATER SERVICE AREA

CFB
CLYMER FARNER BARLEY, Inc.
4450 NE 83RD RD, WILDWOOD, FL 34785
(352) 748-3126
WWW.CFB-INC.COM, CA #4709

GIBSON PLACE UTILITY COMPANY, LLC SUMTER AND LAKE COUNTIES WATER AND WASTEWATER SERVICE AREA



GIBSON PLACE UTILITY COMPANY, LLC SUMTER AND LAKE COUNTIES WATER AND WASTEWATER SERVICE AREA



PROPOSED WATER AND WASTEWATER SERVICE AREA

BEFORE THE FLORIDA PUBLIC SERVICE COMMISSION

In Re: Application for amendment of Certificates
677-W and 577-S to delete territory in Sumter and
Lake Counties by Gibson Place Utility Company, LLC

Docket No. 2021____-WS

**NOTICE OF APPLICATION FOR AMENDMENT TO CERTIFICATE OF
AUTHORIZATION TO DELETE SERVICE AREA**

NOTICE IS HEREBY GIVEN on this _____ day of August 2021, pursuant to Section 367.045 Florida Statutes, and Section 25-30.036(4), Florida Administrative Code, of the of the Application of Gibson Place Utility Company, LLC, for amendment of its Certificates of Authorization to delete territory in Sumter and Lake Counties, Florida. These areas consist of undeveloped land and are generally known as Middleton, and Wellness Village. The Utility is not requesting any changes to its rates, classifications, charges, rules or regulations in this application. (The following is a simplified legal description, and a complete legal description may be obtained by contacting Martin S. Friedman, whose contact information is below):

Tracts of land lying in of Sections 1, 12, 15, 16, 17, 20, 21 & 22, Township 20 South, Range 23 East, in Sumter County, and in Section 7, Township 20 South, Range 24 East, in Lake County, Florida.

Any objections to the Application must be made in writing and filed with the Commission Clerk, Office of Commission Clerk, Florida Public Service Commission, 2540 Shumard Oak Boulevard, Tallahassee, Florida 32399-0850, no later than 30 days from the date of this Notice. Please send a courtesy copy to Martin S. Friedman, Esquire, mfriedman@deanmead.com, Dean Mead, 420 South Orange Ave., Suite 700, Orlando, Florida 32801, (407) 310-2077. The objection must state the grounds for the objection with particularity.

Gibson Place Utility Company, LLC
3601 Kiessel Road
The Villages, Florida 32163
CustomerService@districtgov.org
Phone (352) 750-0000
Fax (352) 751-3936